

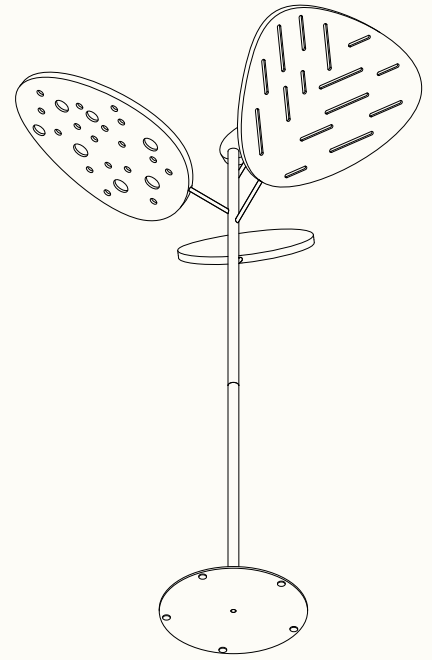
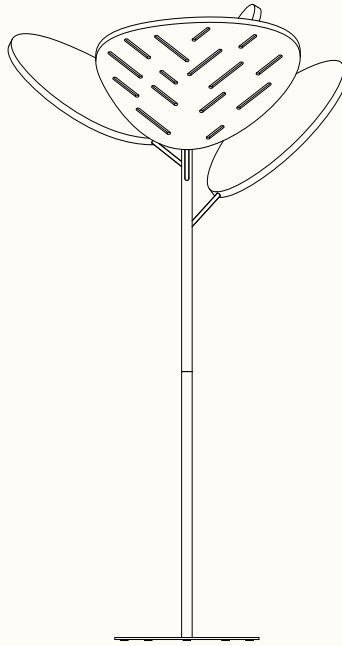
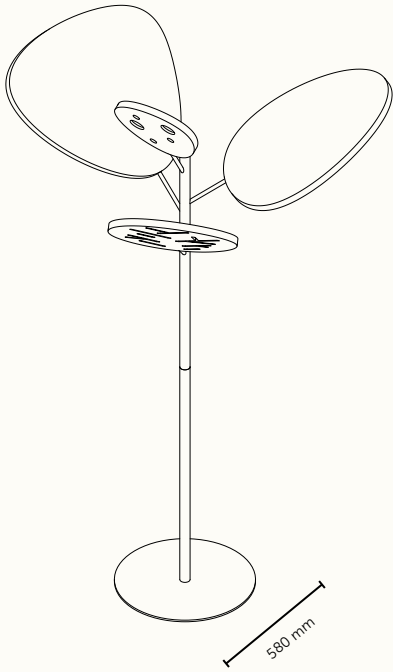
SILENT TREE

silentlab

Designed by Jiří Pelcl, this innovative acoustic object combines modern design and functionality to perfectly meet the needs of modern workspaces. Its distinctive tree shape not only adds aesthetic value, but also significantly reduces environmental noise, creating ideal working conditions for employees.

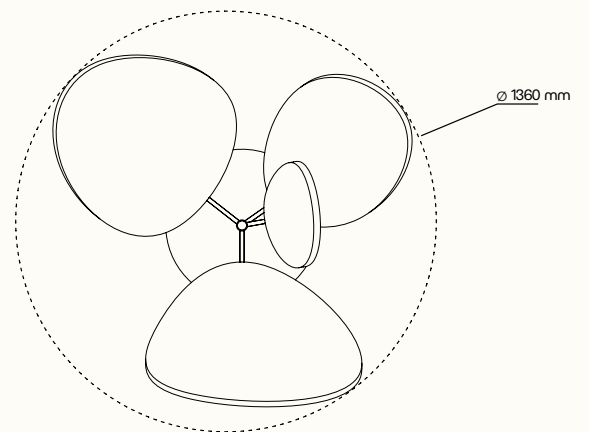
SOUND
ABSORBERS





Technical details

design	Atelier Pelcl
basic dimensions (w × h × d)	1360 × 2560 × 1360 mm / 53.5 × 100.1 × 53.5 in
fabric finish	acoustic material PET - colour emerald green
metal construction	coated steel – RAL 6015 black



All intellectual property rights („Rights“), whether registered or not, relating to any content, texts, photographs, images, logos, instructions, designs, technical solutions, etc. („Content“) are the property of SilentLab s.r.o. („Owner“) and any interference with these Rights to any Content or part thereof without the prior express and written consent of the Owner is not permitted. Any use of the Content not expressly authorized in writing in advance, with the exception of internal and non-commercial use of the unmodified Content for the purposes of the customer’s own order, is considered an infringement of the Owner’s Rights. In particular (not exclusively), any reproduction, change, addition, merger or other modification of the Content is prohibited without the prior express written consent of the Owner.

The final product configuration may differ from the versions shown in the photographs.
 SilentLab®, MICROOFFICE® and their logos are registered trademarks of SilentLab s.r.o. All MICROOFFICE products are patent pending.

version 2024.2