

CATALOGUE

silentlab

silentlab

CATALOGUE 2024



TABLE OF CONTENTS

ABOUT US	9
KEY ADVANTAGES	13
DESIGNERS	15
GEN4	21
SPOT	23
FOCUS	27
CHAT	31
SUMMIT	37
SPARK	45
SPARK	47
SPARK ²	49
SPARK ⁴	51
MICROOFFICE	53
UNIQ	55
PRIME	59
CUBIQ	63
QUADRIO I—IV	69
REALM	81
ADDITIONAL EQUIPMENT	87
AV CONNECTION SET	89
FURNITURE	91
SEATING	99
MYSLOT BOND	101
MOVE	103
PETAL	105
SOUND ABSORPTION	107
STILL SKY	109
STILL	111
RESOBAR	113
MYSPLACE	115
SHADE TIMBER	117
SHADE HEAVY	119
SHADE MARK	121
MOSS	123
MOSS HANG	125
SILENT TREE	127
MUTE	129
LIGHTING	131
MUTE LIGHT	133
BLOOM	135
DROP	137
SOUNDMASKING	139
MATERIAL LINES	145
FABRIC SWATCHES	147
FINISH	153

**When all you want
is a quiet place to work**





ABOUT US

Our journey began in 2014 with a vision to transform the working environment of modern offices. With a small team, fueled by determination and a belief in acoustics, we set out to create something exceptional. We were among the few in Europe who understood that the right acoustics can profoundly impact productivity and well-being at work.

The beginning was not easy. We remember countless hours spent on designs and prototypes as we worked to create a soundproof pod that truly performs. Every success and setback brought us closer to our goal. When we first showcased our prototypes at Orgatec 2016, we had no idea what lay ahead. Although our initial product was far from perfect, our dedication, passion, and a bit of luck showed us the way forward.

Just weeks after Orgatec, we won a major contract in Paris, which opened doors for us and allowed for rapid growth. Since then, we have become one of the leading manufacturers of acoustic products in Europe.

Today, after years of hard work and investment, with over a hundred talented individuals on our team, we proudly present our new line that is unmatched on the global market. Every product we create embodies our passion and belief in what we do. SilentLab is not just a company; it's a story of commitment, innovation, and a desire to create a calm and productive working environment for everyone.





KEY ADVANTAGES

LIGHT

Discover the power of light that transforms your workspace. Our pro-cognitive LED lighting mimics natural daylight with an outstanding Color Rendering Index (CRI 98%). With its perfect spectral composition, we enhance focus and reduce error rates.

Our lighting not only benefits your mental well-being and retinal health but also transforms your space into a place where ideas are born. Whether you need to concentrate or relax, you can easily adjust the light intensity to achieve perfect visual comfort.

SILENCE

Our products are the answer to noise in modern open-space offices. Perfectly functioning interior and exterior acoustics ensure a tranquil work environment, allowing you to listen to your own thoughts. With high-quality materials, a quiet ventilation system, and precision-engineered soundproof doors, we achieve the highest possible level of sound isolation.

We focus on achieving the ideal reverberation time and natural clarity of speech, which you will especially appreciate during phone and conference calls.

AIR

Fresh air is essential for effective work. Our innovative ventilation system ensures rapid and quiet air exchange, allowing you to work uninterrupted for hours on end.

This efficient system is designed with comfort and health in mind, creating optimal conditions for focused work. You can easily adjust the ventilation intensity using the intuitive digital control display, giving you full control over your environment and ensuring maximum comfort throughout your workday.

DESIGN

We have combined a revolutionary acoustic concept with minimalist design to create a functional space that captivates with its elegance. The upholstered surfaces are designed to create an airy and comfortable atmosphere, while carefully selected interior ergonomics ensure maximum comfort and harmony. Our construction utilizes premium materials for perfect sound insulation, while wood and metal details add timeless sophistication.

Our innovative design has been recognized with prestigious awards, including the Red Dot Design Award, iF Design Award, German Design Award, and Good Design Award.



DESIGNERS of acoustic pods

VOJTĚCH KAAS & JAN KALIVODA

PROGRES ARCHITEKTI

The architectural studio PROGRES architekti specializes in working with space, matter, light, and materials. Their approach, focused on innovation and pushing the boundaries of technical possibilities, has earned them numerous international awards.

They pay exceptional attention to the quality of indoor environments, where ergonomics, lighting, and acoustics play a crucial role. These experiences were fully utilized in the development of MICROOFFICE, SPARK and the new GEN4 line, where they introduced a modular solution designed to meet various human needs and become a key element of the workplace environment.



DESIGNER of acoustic objects

JIŘÍ PELCL

ATELIER PELCL

Atelier Pelcl, one of the leading design studios in the Czech Republic, boasts years of experience and successful projects both domestically and internationally. The studio specializes in designing public and private interiors, architecture, and furniture, glass, and porcelain design.

The collaboration between SilentLab and Atelier Pelcl resulted in the innovative product SILENT TREE. This nature-inspired design brings a sense of calm and aesthetics to office spaces, serving not only as an acoustic solution but also as a visually appealing addition.



DESIGNERS of acoustic lights

JAN NĚMEČEK & MICHAL FRONĚK

STUDIO OLGOJ CHORCHOJ

Studio Olgoj Chorchoj specializes in a wide range of design fields, from furniture and glass to architectural projects. Their work is known for technological precision and collaboration with renowned glassmakers. Their creations have been exhibited in prestigious venues worldwide.

In collaboration with SilentLab, Studio Olgoj Chorchoj designed the acoustic lights DROP and BLOOM. These lights combine aesthetics with functional acoustics, where materials effectively absorb sound, and the design offers flexibility in shape and color variations. The simple yet sophisticated forms easily adapt to various interiors.

GEN4





lots
spot

SPOT

A pod for
quick calls
and concentration

SPOT

SPOT is a premium acoustic pod designed for quick calls and peak productivity. Tailored for individual use, it seamlessly merges functionality with aesthetics, creating a tranquil environment for focused work.

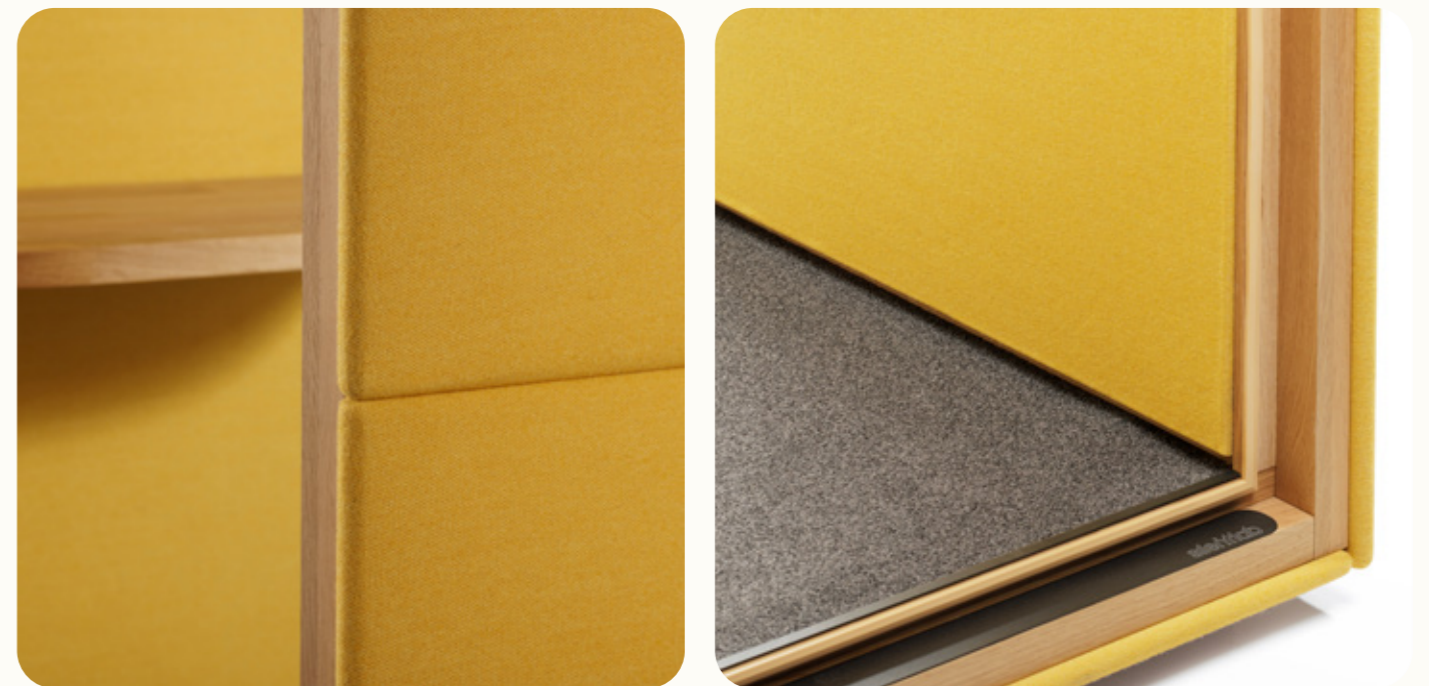
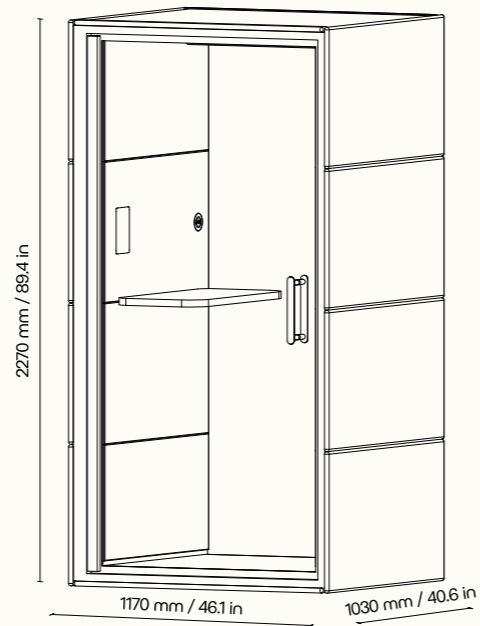


Technical sheet



TECHNICAL DETAILS

exterior dimensions (w × h × d)	1170 × 2270 × 1030 mm / 46.1 × 89.4 × 40.6 in
interior dimensions (w × h × d)	945 × 2068 × 945 mm / 37.2 × 81.4 × 37.2 in
weight	350 kg / 771.6 lb
door opens	left / right (can be changed at location)
glass walls	sound-insulating glass
solid walls	sound-absorbing sandwich panel with acoustic insulation
glass wall frame and door handle	oak
ceiling	sound-absorbing sandwich panel with acoustic insulation, the roof is not upholstered
flooring	carpet (anthracite grey)
ventilation	standard air flow: 141 m ³ /h maximum air flow: 179 m ³ /h
lighting	dual LED lighting – pro-cognitive / ambient with adjustable color temperature
standard equipment	electric socket (1*), motion sensor, dual LED lighting, ventilation, digital control panel
optional equipment	refer to the pricelist
color options	decorative fabric (refer to swatches)



FOCUS



FOCUS

**Private
soundproof pod
for undisturbed work**

FOCUS

FOCUS is your specialized pod for ultimate concentration and productivity. Designed to replace a single workstation, it transforms your space into a private, soundproof zone ideal for intense, long-term undisturbed work.

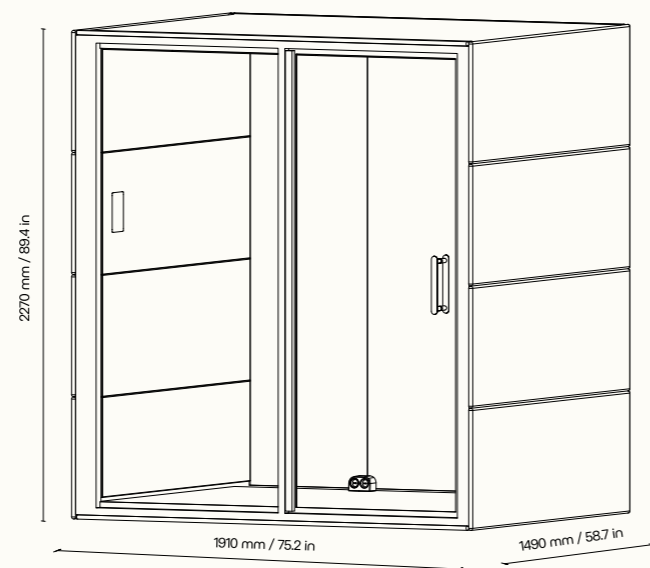


Technical sheet



TECHNICAL DETAILS

exterior dimensions (w × h × d)	1910 × 2270 × 1490 mm / 75.2 × 89.4 × 58.7 in
interior dimensions (w × h × d)	1685 × 2068 × 1405 mm / 66.3 × 81.4 × 55.3 in
weight	615 kg / 1355.8 lb
door opens	left / right (can be changed at location)
glass walls	sound-insulating glass
solid walls	sound-absorbing sandwich panel with acoustic insulation
glass wall frame and door handle	oak
ceiling	sound-absorbing sandwich panel with acoustic insulation, the roof is not upholstered
flooring	carpet (anthracite grey)
ventilation	standard air flow: 228 m ³ /h maximum air flow: 358 m ³ /h
lighting	dual LED lighting – pro-cognitive / ambient with adjustable color temperature
standard equipment	electric socket (2×), motion sensor, dual LED lighting, ventilation, digital control panel
optional equipment	refer to the pricelist
color options	decorative fabric (refer to swatches)



CHAT



CHAT

**Soundproof pod
for private conversations
and productive meetings**

CHAT²

CHAT² is the perfect solution for private conversations and quick meetings without distractions. This acoustic pod for two delivers exceptional sound isolation, ensuring confidential communication and enhanced comfort in any environment.

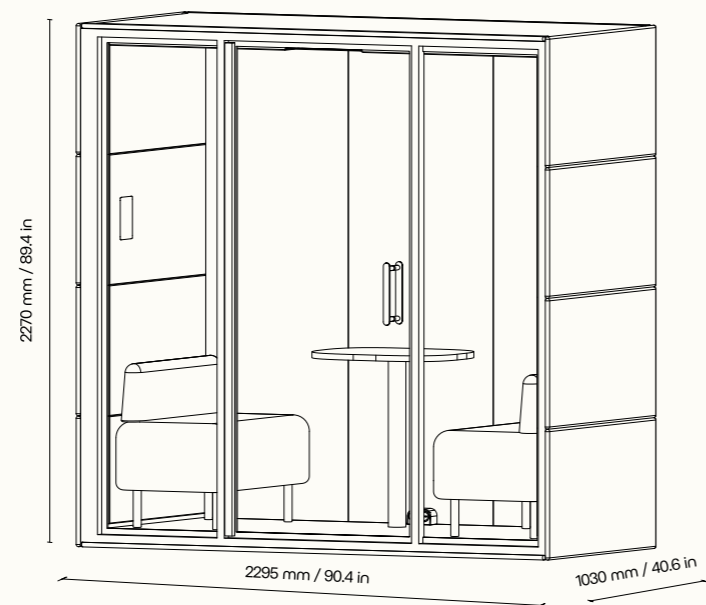


Technical sheet



TECHNICAL DETAILS

exterior dimensions (w × h × d)	2295 × 2270 × 1030 mm / 90.4 × 89.4 × 40.6 in
interior dimensions (w × h × d)	2075 × 2068 × 945 mm / 81.7 × 81.4 × 37.2 in
weight	645 kg / 1422 lb
door opens	left / right (can be changed at location)
glass walls	sound-insulating glass
solid walls	sound-absorbing sandwich panel with acoustic insulation
glass wall frame and door handle	oak
ceiling	sound-absorbing sandwich panel with acoustic insulation, the roof is not upholstered
flooring	carpet (anthracite grey)
ventilation	standard air flow: 228 m ³ /h maximum air flow: 358 m ³ /h
lighting	dual LED lighting – pro-cognitive / ambient with adjustable color temperature
standard equipment	electric socket (2×), motion sensor, dual LED lighting, ventilation, digital control panel
optional equipment	refer to the pricelist
color options	decorative fabric (refer to swatches)



CHAT⁴

CHAT⁴ is designed for team meetings and brainstorming sessions where privacy and comfort are essential. In this acoustic pod for four, you will appreciate our exceptional ventilation system, ensuring a constant supply of fresh air even during extended discussions.

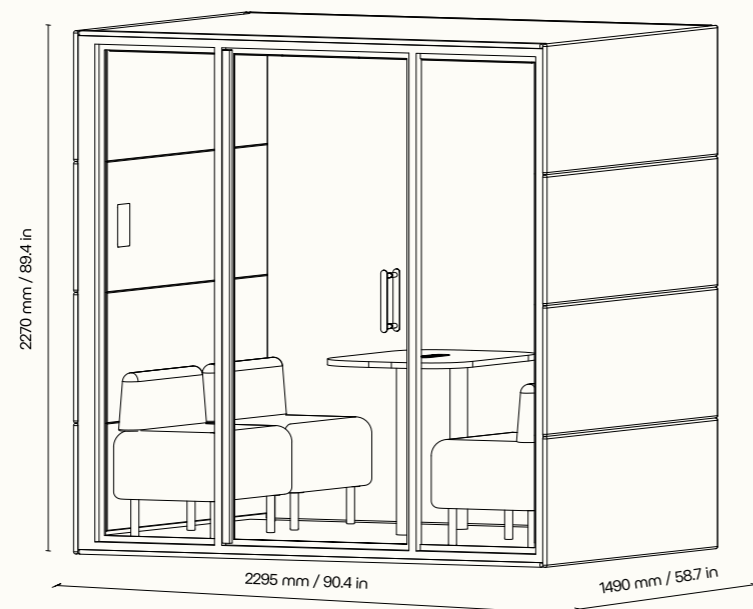


Technical sheet



TECHNICAL DETAILS

exterior dimensions (w × h × d)	2295 × 2270 × 1490 mm / 90.4 × 89.4 × 58.7 in
interior dimensions (w × h × d)	2075 × 2068 × 1405 mm / 81.7 × 81.4 × 55.3 in
weight	850 kg / 1873.9 lb
door opens	left / right (can be changed at location)
glass walls	sound-insulating glass
solid walls	sound-absorbing sandwich panel with acoustic insulation
glass wall frame and door handle	oak
ceiling	sound-absorbing sandwich panel with acoustic insulation, the roof is not upholstered
flooring	carpet (anthracite grey)
ventilation	standard air flow: 456 m ³ /h maximum air flow: 716 m ³ /h
lighting	dual LED lighting – pro-cognitive / ambient with adjustable color temperature
standard equipment	electric socket (4*), motion sensor, dual LED lighting, ventilation, digital control panel
optional equipment	refer to the pricelist
color options	decorative fabric (refer to swatches)



SUMMIT

Adaptable meeting space
for various groups of people

SUMMIT⁴

SUMMIT⁴ is your versatile space for small group meetings. Designed to accommodate up to four people, it provides a compact, soundproof environment where privacy and clear communication are top priorities, thanks to cutting-edge acoustic technology.

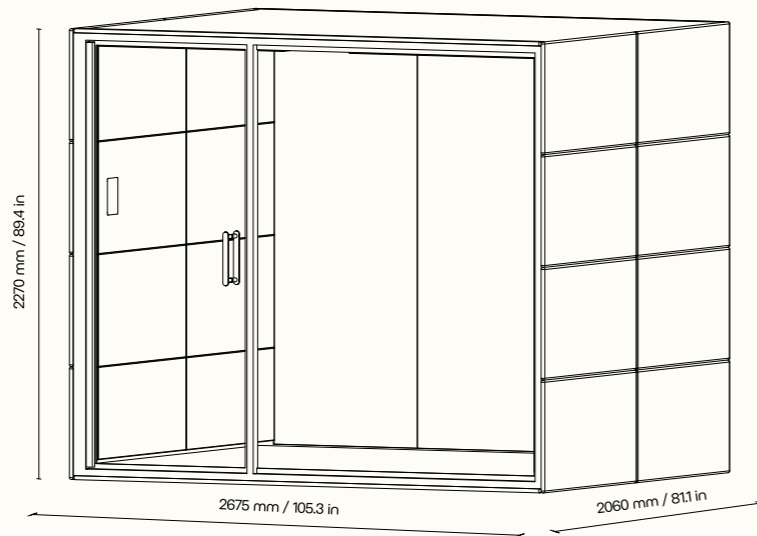


Technical sheet



TECHNICAL DETAILS

exterior dimensions (w × h × d)	2675 × 2270 × 2060 mm / 105.3 × 89.4 × 81.1 in
interior dimensions (w × h × d)	2455 × 2068 × 1975 mm / 96.7 × 81.4 × 77.8 in
weight	900 kg / 1984.1 lb
door opens	left / right (can be changed at location)
glass walls	sound-insulating glass
solid walls	sound-absorbing sandwich panel with acoustic insulation
glass wall frame and door handle	oak
ceiling	sound-absorbing sandwich panel with acoustic insulation, the roof is not upholstered
flooring	carpet (anthracite grey)
ventilation	standard air flow: 592 m ³ /h maximum air flow: 912 m ³ /h
lighting	dual LED lighting – pro-cognitive / ambient with adjustable color temperature
standard equipment	electric socket (3×), motion sensor, dual LED lighting, ventilation, digital control panel
optional equipment	refer to the pricelist
color options	decorative fabric (refer to swatches)



SUMMIT⁶

SUMMIT⁶ is your high-performance solution for mid-sized meetings. Perfect for groups of up to six, it provides a spacious, soundproof environment equipped with advanced acoustic features, ensuring privacy and seamless discussions in a comfortable setting.

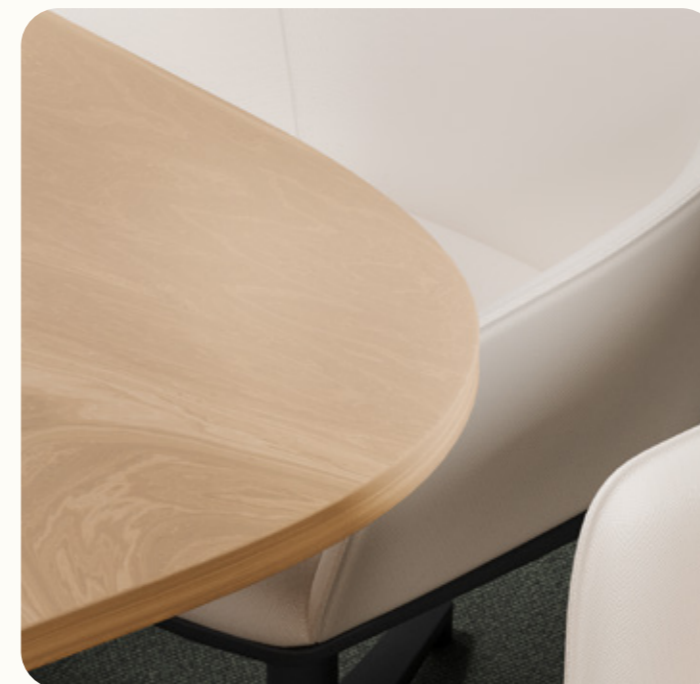
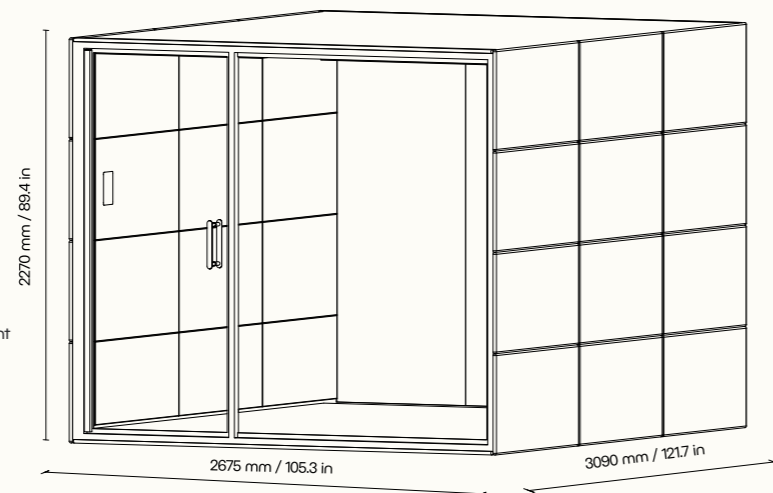


Technical sheet



TECHNICAL DETAILS

exterior dimensions (w × h × d)	2675 × 2270 × 3090 mm / 105.3 × 89.4 × 121.7 in
interior dimensions (w × h × d)	2455 × 2068 × 3005 mm / 96.7 × 81.4 × 118.3 in
weight	1100 kg / 2425.1 lb
door opens	left / right (can be changed at location)
glass walls	sound-insulating glass
solid walls	sound-absorbing sandwich panel with acoustic insulation
glass wall frame and door handle	oak
ceiling	sound-absorbing sandwich panel with acoustic insulation, the roof is not upholstered
flooring	carpet (anthracite grey)
ventilation	standard air flow: 888 m ³ /h maximum air flow: 1368 m ³ /h
lighting	dual LED lighting – pro-cognitive / ambient with adjustable color temperature
standard equipment	electric socket (3×), motion sensor, dual LED lighting, ventilation, digital control panel
optional equipment	refer to the pricelist
color options	decorative fabric (refer to swatches)



SUMMIT⁸

SUMMIT⁸ is your largest meeting hub. Designed for up to eight people, it provides a spacious, soundproof environment equipped with cutting-edge acoustic technology that guarantees both privacy and seamless communication for productive group sessions.

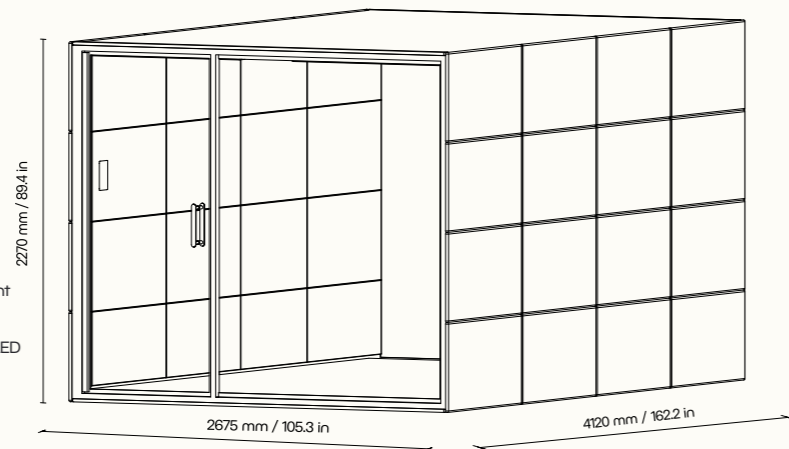


Technical sheet



TECHNICAL DETAILS

exterior dimensions (w × h × d)	2675 × 2270 × 4120 mm / 105.3 × 89.4 × 162.2 in
interior dimensions (w × h × d)	2455 × 2068 × 4035 mm / 96.7 × 81.4 × 158.9 in
weight	1200 kg / 2645.5 lb
door opens	left / right (can be changed at location)
glass walls	sound-insulating glass
solid walls	sound-absorbing sandwich panel with acoustic insulation
glass wall frame and door handle	oak
ceiling	sound-absorbing sandwich panel with acoustic insulation, the roof is not upholstered
flooring	carpet (anthracite grey)
ventilation	standard air flow: 1184 m ³ /h maximum air flow: 1824 m ³ /h
lighting	dual LED lighting – pro-cognitive / ambient with adjustable color temperature
standard equipment	electric socket (3×), motion sensor, dual LED lighting, ventilation, digital control panel
optional equipment	refer to the pricelist
color options	decorative fabric (refer to swatches)



SPARK



SPARK

Add sparkle to your working environment. SPARK is our first acoustic meeting room with increased mechanical resistance while retaining its maximum functionality and elegant curves. It can cope with even the most demanding conditions and is easy to maintain. It is therefore perfectly suited to production halls or public areas.

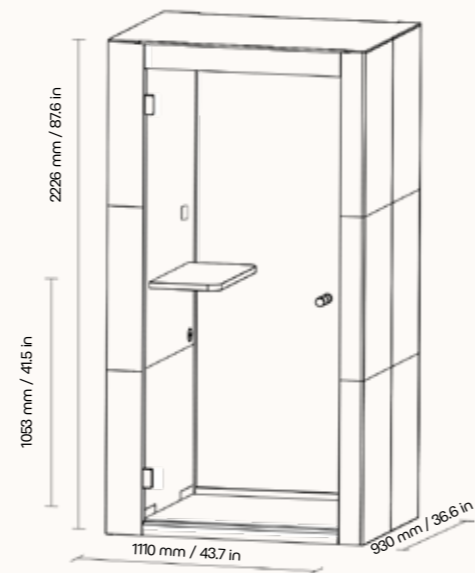
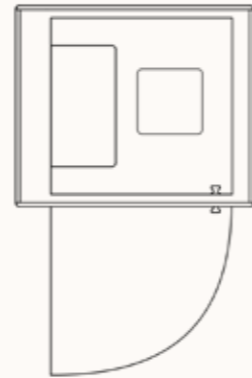


Technical sheet



TECHNICAL DETAILS

exterior dimensions (w × h × d)	1110 × 2226 × 930 mm / 43.7 × 87.6 × 36.6 in
interior dimensions (w × h × d)	850 × 2057 × 864 mm / 33.4 × 80.9 × 34 in
weight	350 kg / 771 lb
door opens	left / right (can be changed at location)
glass walls	sound-insulating glass
solid walls	sound-absorbing sandwich panel with acoustic insulation
glass wall frame and door handle	beech (black varnish)
ceiling	sound-absorbing sandwich panel with acoustic insulation
flooring	carpet (anthracite grey)
ventilation	standard air flow: 120 m ³ /h maximum air flow: 341 m ³ /h
lighting	LED, chromaticity temperature 4200 K
standard equipment	electric socket (1*), ventilation, motion sensor, desk, LED lighting, sprinkler / fire detection system provision, control panel for lighting and air ventilation
optional equipment	refer to the pricelist
material lines - interior	decorative fabric Bombay 36
color options cladding - exterior	powder coated steel - fine texture
certification	



SPARK²

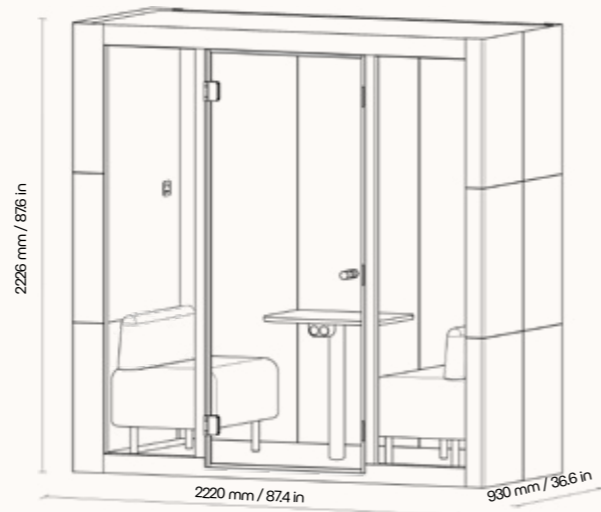
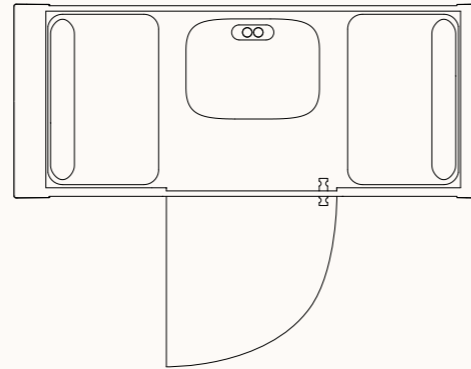
SPARK² is the ideal place for one-on-one meetings when you don't want to be disturbed by anyone. This innovative acoustic room with an interesting design ensures maximum attenuation of ambient sounds and better working conditions in any noisy area. Its easy-to-maintain durable surface makes it an excellent choice for offices, production halls, and even the healthcare sector with a special interior treatment.



Technical sheet

TECHNICAL DETAILS

exterior dimensions (w × h × d)	2220 × 2226 × 930 mm / 87.4 × 87.6 × 36.6 in
interior dimensions (w × h × d)	1968 × 2057 × 864 mm / 77.5 × 80.9 × 34 in
weight	695 kg / 1532 lb
door opens	left / right (can be changed at location)
glass walls	sound-insulating glass
solid walls	sound-absorbing sandwich panel with acoustic insulation
glass wall frame and door handle	beech (black varnish)
ceiling	sound-absorbing sandwich panel with acoustic insulation
flooring	carpet (anthracite grey)
ventilation	standard air flow: 250 m ³ /h maximum air flow: 341 m ³ /h
lighting	LED, chromaticity temperature 4200 K
standard equipment	electric socket (2×), ventilation, motion sensor, LED lighting, sprinkler / fire detection system provision, control panel for lighting and air ventilation
optional equipment	refer to the pricelist
material lines - interior	decorative fabric Bombay 36
color options	powder coated steel - fine texture
cladding - exterior	
certification	CE



SPARK⁴

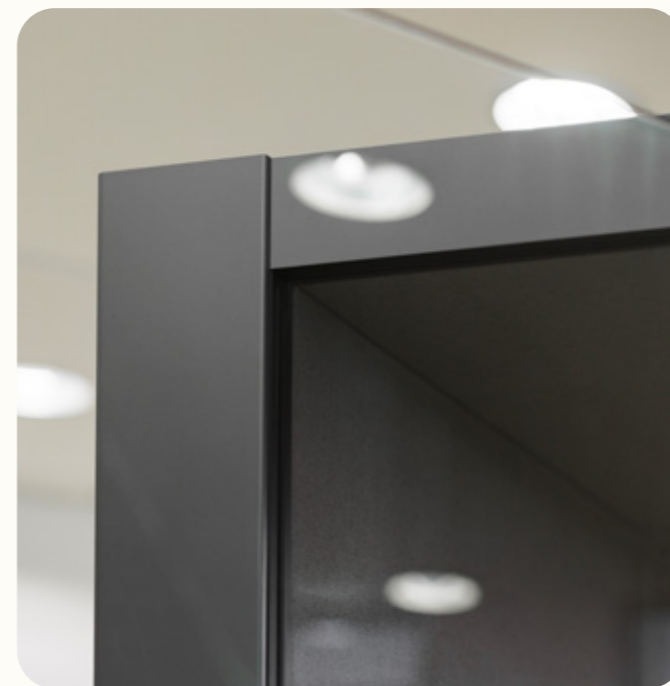
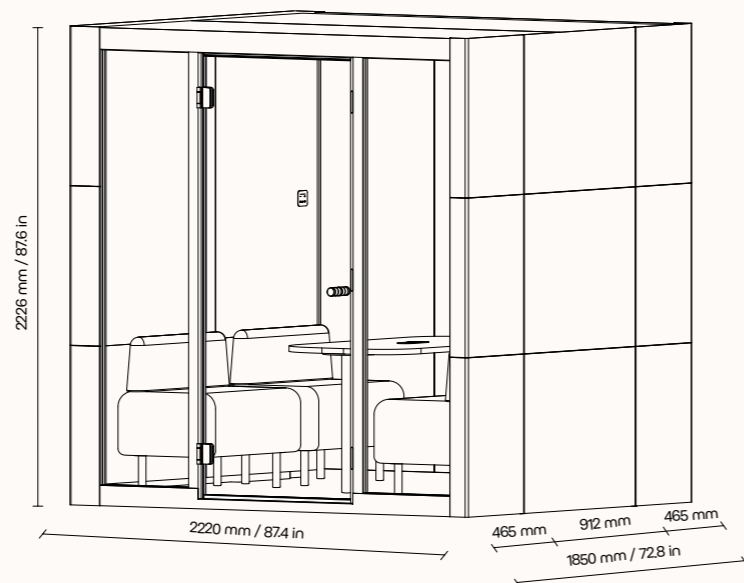
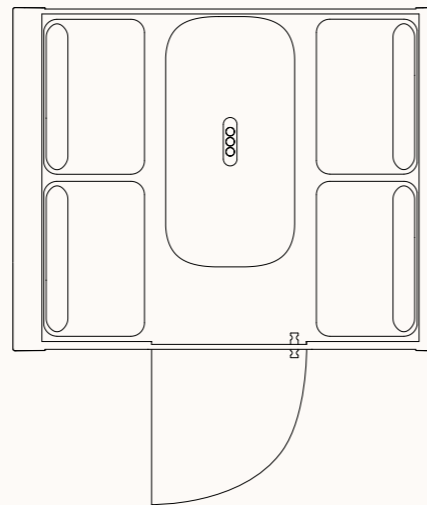
Discover the SPARK⁴, which will catch your attention with its distinctive look, powder-coated steel exterior available in eight colors, and a wide range of technological innovations. The quiet office is designed for two to four people for private meetings even in challenging conditions.



Technical sheet

TECHNICAL DETAILS

exterior dimensions (w × h × d)	2220 × 2226 × 1850 mm / 87.4 × 87.6 × 72.8 in
interior dimensions (w × h × d)	1968 × 2057 × 1770 mm / 77.5 × 81 × 67 in
weight	1150 kg / 2535 lb
door opens	left / right (can be changed at location)
glass walls	sound-insulating glass
solid walls	sound-absorbing sandwich panel with acoustic insulation
glass wall frame and door handle	beech (black varnish)
ceiling	sound-absorbing sandwich panel with acoustic insulation
flooring	carpet (anthracite grey)
ventilation	standard air flow: 400 m ³ /h maximum air flow: 626 m ³ /h
lighting	LED, chromaticity temperature 4200 K
standard equipment	electric socket (3×), ventilation, motion sensor, LED lighting, sprinkler / fire detection system provision, control panel for lighting
optional equipment	refer to the pricelist
material lines - interior	decorative fabric Bombay 36
color options	powder coated steel - fine texture
cladding - exterior	
certification	



MICROOFFICE



UNIQ



UNIQ

Iconic design
and blessed silence

GEN4 SPARK MICROOFFICE

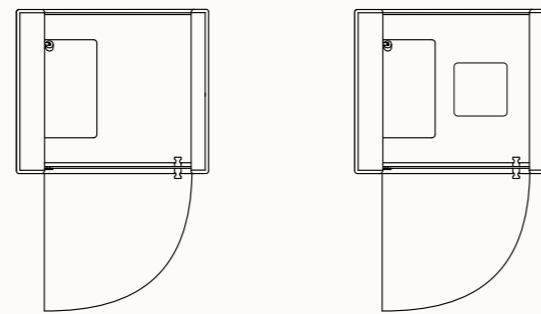


UNIQ

Sometimes you need some quiet time to focus, but you also want to stay in touch with what's going on in the office. UNIQ respects both requirements. The glass roof and two glass walls let in plenty of natural light, while the noise-resistant glass and acoustic upholstery ensure perfect soundproofing.



Technical sheet

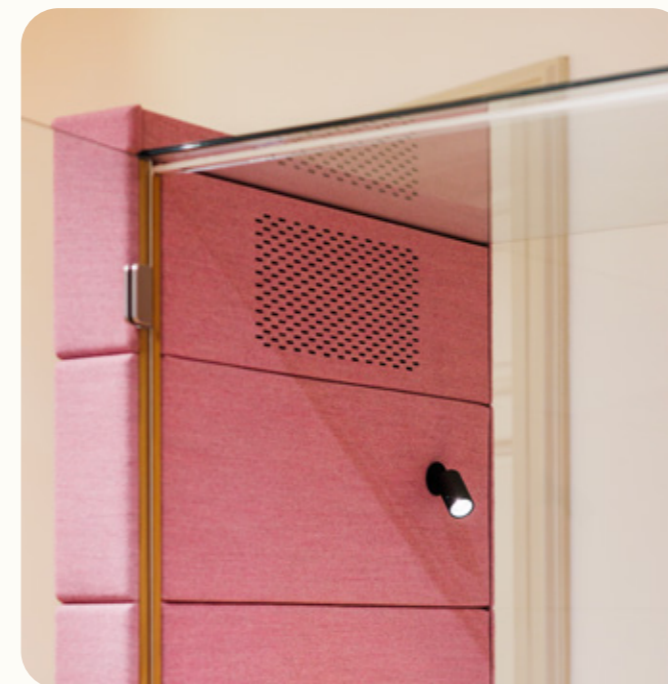
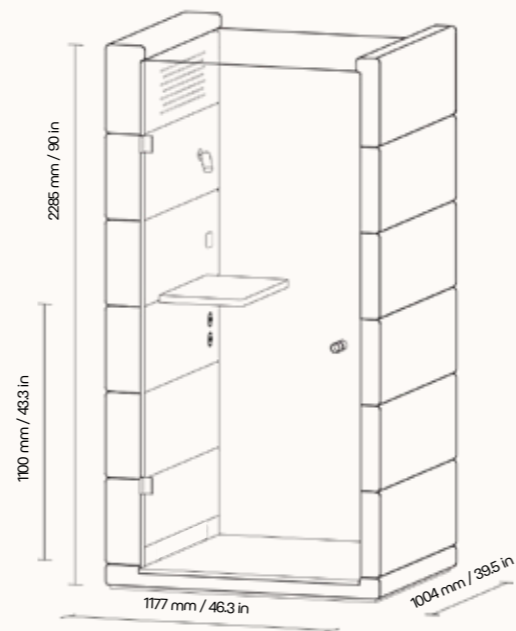


TECHNICAL DETAILS

exterior dimensions (w × h × d)	1177 × 2285 × 1004 mm / 46.3 × 90 × 39.5 in
interior dimensions (w × h × d)	898 × 2097 × 933 mm / 35.4 × 81.9 × 36.7 in
weight	385 kg / 848 lb
door opens	left / right (can be changed at location)
glass walls	sound-insulating glass
solid walls	sound-absorbing sandwich panel with acoustic insulation
glass wall frame and door handle	oak/black varnish
ceiling	glazed ceiling
flooring	carpet (anthracite grey)
ventilation	standard air flow: 124 m ³ /h maximum air flow: 322 m ³ /h
lighting	LED, chromaticity temperature 2700 K
standard equipment	electric socket (1x), connection USB C CHARGER 1x USB A 1x, motion sensor, desk, lamp, ventilation, glazed ceiling, control panel for lighting and air ventilation
optional equipment	refer to the pricelist
color options	decorative fabric (refer to swatches)



* FSC certification on request.





PRIME

PRIME

Oasis of peace
for individuals



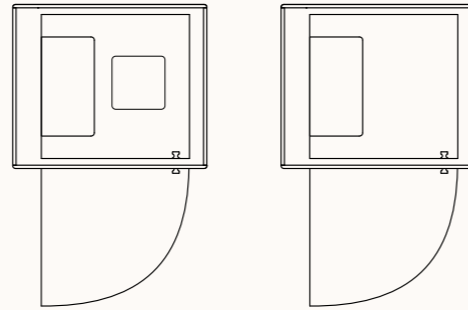
GEN4 SPARK MICROOFFICE

PRIME




The ideal space for concentrating on work in a noisy office. PRIME not only provides sufficient privacy and quiet, but also serves as an acoustic element for the surrounding space. Thanks to the wall upholstery made of high-quality acoustic materials, it absorbs ambient sounds and dampens noise in the office.



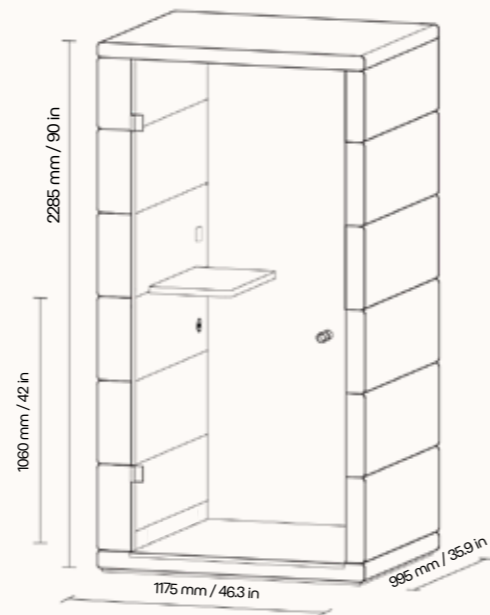
Technical sheet



TECHNICAL DETAILS

exterior dimensions (w × h × d)	1175 × 2285 × 995 mm / 46.3 × 90 × 35.9 in
interior dimensions (w × h × d)	900 × 2080 × 915 mm / 35.4 × 81.9 × 36 in
weight	370 kg / 815 lb
door opens	left / right (can be changed at location)
glass walls	sound-insulating glass
solid walls	sound-absorbing sandwich panel with acoustic insulation
glass wall frame and door handle	oak/black varnish
ceiling	sound-absorbing sandwich panel with acoustic insulation, the roof is not upholstered
flooring	carpet (anthracite grey)
ventilation	standard air flow: 102 m ³ /h maximum air flow: 322 m ³ /h
lighting	LED, chromaticity temperature 4200 K
standard equipment	electric socket (1x), motion sensor, desk, LED lighting, ventilation, control panel for lighting and air ventilation
optional equipment	refer to the pricelist
color options	decorative fabric (refer to swatches)
certification	  

* FSC certification on request.



CUBIQ



CUBIQ

Focus room
with variable space



reddot design award
winner 2019

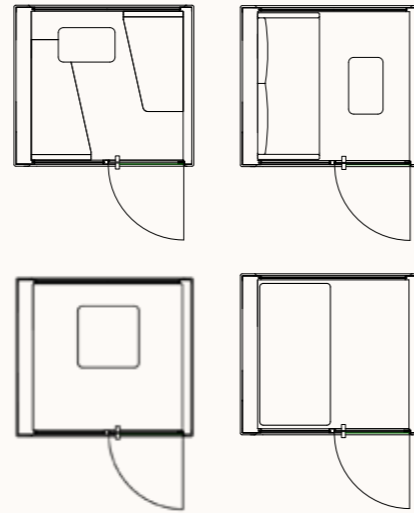
CUBIQ

Do you need to concentrate? Looking for a place where you can think or have a conversation without distractions?

CUBIQ variable focus room can accommodate two to four people. It is large enough that you can separate your workspace and replace one workstation with a perfect oasis of silence. With up to four different layout options, it can accommodate, for example, bar seating, comfortable chairs or video conferencing equipment.

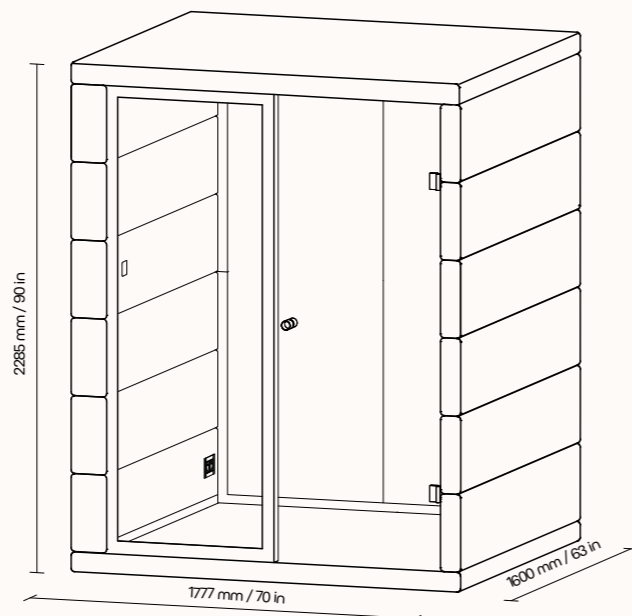


Technical sheet



TECHNICAL DETAILS

exterior dimensions (w × h × d)	1777 × 2285 × 1600 mm / 70 × 90 × 63 in
interior dimensions (w × h × d)	1501 × 2074 × 1480 mm / 59.1 × 81.7 × 58.3 in
weight	600 kg / 1322 lb
door opens	left / right (can be changed at location)
glass walls	sound-insulating glass
solid walls	sound-absorbing sandwich panel with acoustic insulation
glass wall frame and door handle	oak/black varnish
ceiling	sound-absorbing sandwich panel with acoustic insulation, the roof is not upholstered
flooring	carpet (anthracite grey)
ventilation	standard air flow: 304 m ³ /h maximum air flow: 492 m ³ /h
lighting	LED, chromaticity temperature 4200 K
standard equipment	electric socket (2×), motion sensor, LED lighting, ventilation, control panel, ventilation and lighting
optional equipment	refer to the pricelist
color options	decorative fabric (refer to swatches)



* FSC certification on request.

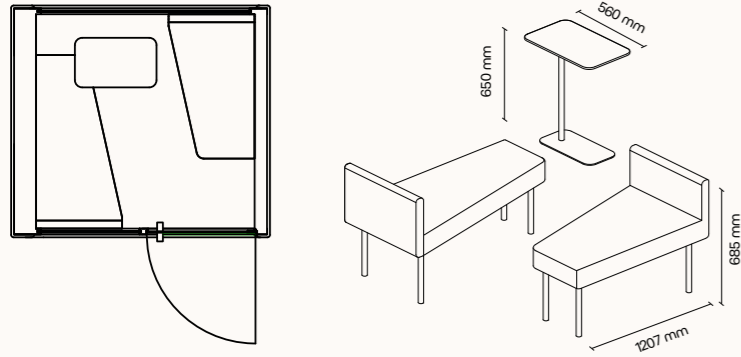


EQUIPMENT OPTIONS

CUBIQ

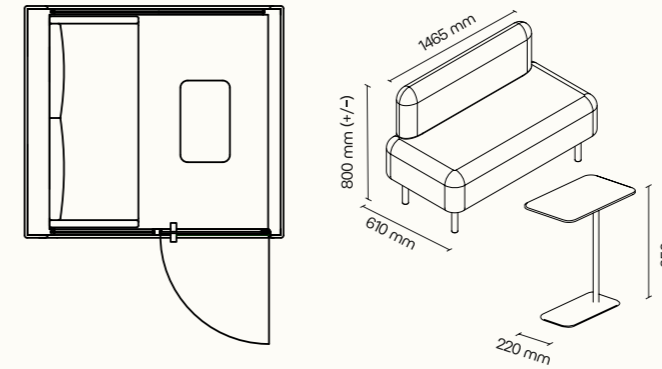
ONE ON ONE

Upholstered benches, material and fabric color based on swatches. Black metal legs. The table has an oiled oak top and black metal leg (if you choose the black color option, the desk is also black).



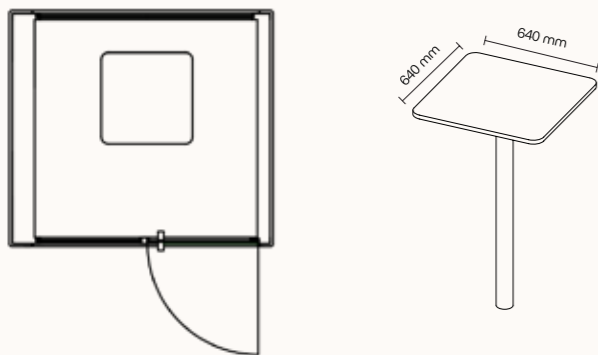
VIDEOCONFERENCE

Upholstered armchair, material and color of fabric based on swatches. Black metal legs. The table has an oiled oak top and black metal leg (if you choose the black color option, the desk is also black). TV holder for videoconferencing available in full wall.



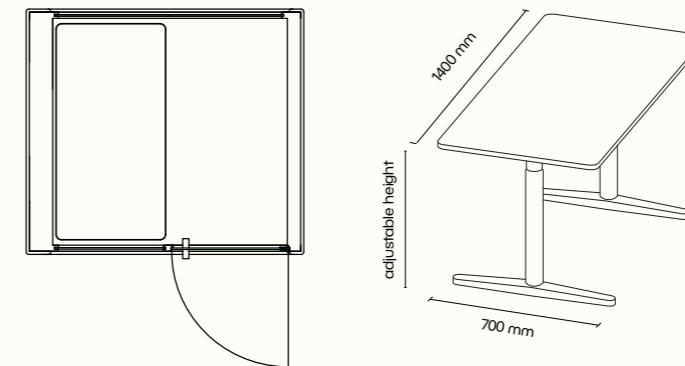
BAR TABLE

Bar table assembly.



FOCUS

Height adjustable table assembly with black metal chair frame.



QUADRIO



QUADRIO

Universal meeting room
that grows with you

GEN4 SPARK MICROOFFICE



BIGSEE FASHIONDESIGN AWARDS 2021

QUADRIO I

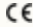


The universal QUADRIO system grows with you. Choose one of the four available options to suit you and your colleagues.

QUADRIO I for two to four people gives you both privacy and comfort.

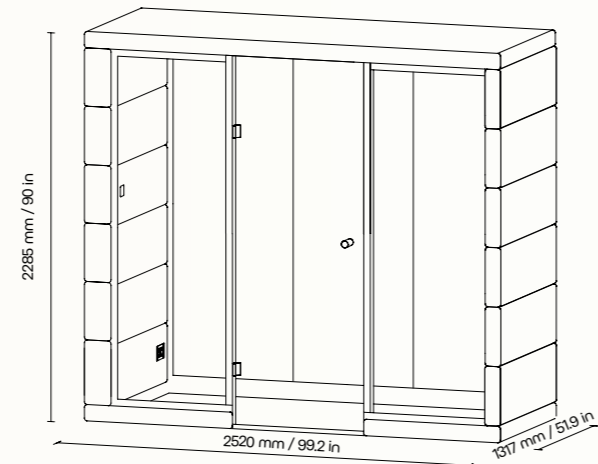
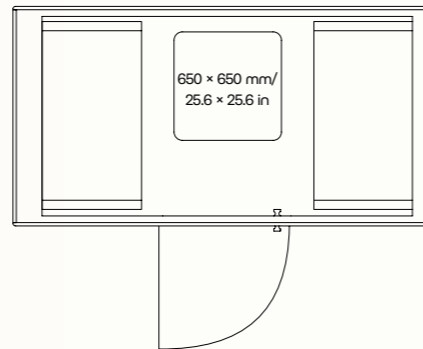
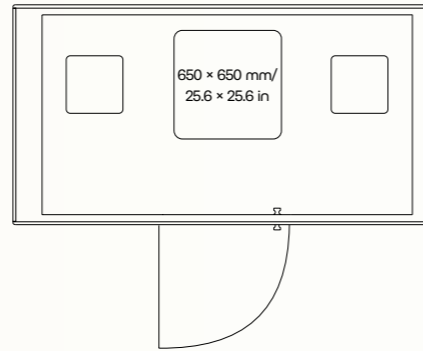


Technical sheet

TECHNICAL DETAILS

exterior dimensions (w × h × d)	2520 × 2285 × 1317 mm / 99.2 × 90 × 51.9 in
interior dimensions (w × h × d)	2246 × 2128 × 1196 mm / 88.4 × 83.8 × 47.1 in
weight	625 kg / 1377 lb
door opens	left / right (can be changed at location)
glass walls	sound-insulating glass
solid walls	sound-absorbing sandwich panel with acoustic insulation
glass wall frame and door handle	oak/black varnish
ceiling	sound-absorbing sandwich panel with acoustic insulation, the roof is not upholstered
flooring	carpet (anthracite grey)
ventilation	standard air flow: 292 m ³ /h maximum air flow: 492 m ³ /h
lighting	LED, chromaticity temperature 4200 K
standard equipment	electric socket (2×), motion sensor, LED lighting, ventilation, control panel ventilation and lighting
optional equipment	refer to the pricelist
color options	decorative fabric (refer to swatches)
certification	  

* FSC certification on request.



QUADRIO II

QUADRIO II fits up to five people comfortably. You'll be able to hold team meetings without being disturbed.

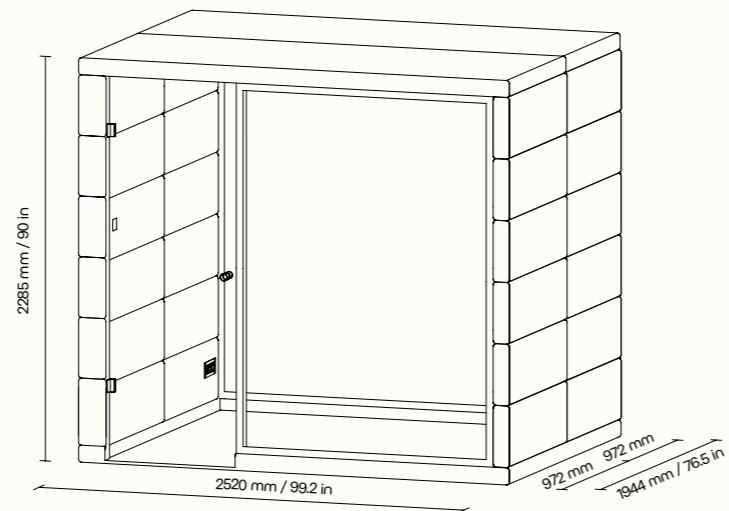
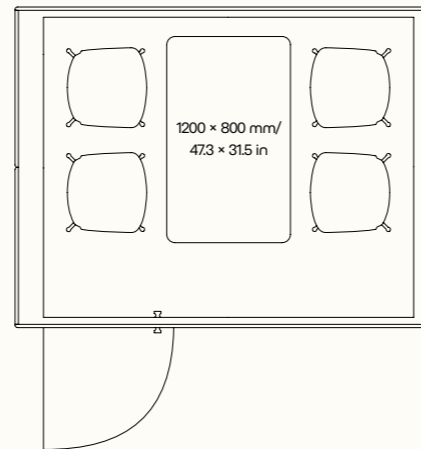


Technical sheet

TECHNICAL DETAILS

exterior dimensions (w × h × d)	2520 × 2285 × 1944 mm / 99.2 × 90 × 76.5 in
interior dimensions (w × h × d)	2246 × 2128 × 1824 mm / 88.4 × 83.8 × 71.8 in
weight	750 kg / 1653 lb
door opens	left / right (can be changed at location)
glass walls	sound-insulating glass
solid walls	sound-absorbing sandwich panel with acoustic insulation
glass wall frame and door handle	oak/black varnish
ceiling	sound-absorbing sandwich panel with acoustic insulation / glazed ceiling, the roof is not upholstered
flooring	carpet (anthracite grey)
ventilation	standard air flow: 347 m ³ /h maximum air flow: 492 m ³ /h
lighting	LED, chromaticity temperature 4200 K
standard equipment	electric socket (3×), motion sensor, LED lighting, ventilation, control panel for lighting and air ventilation
optional equipment	refer to the pricelist
color options	decorative fabric (refer to swatches)
certification	

* FSC certification on request.



QUADRIO II ACCESS

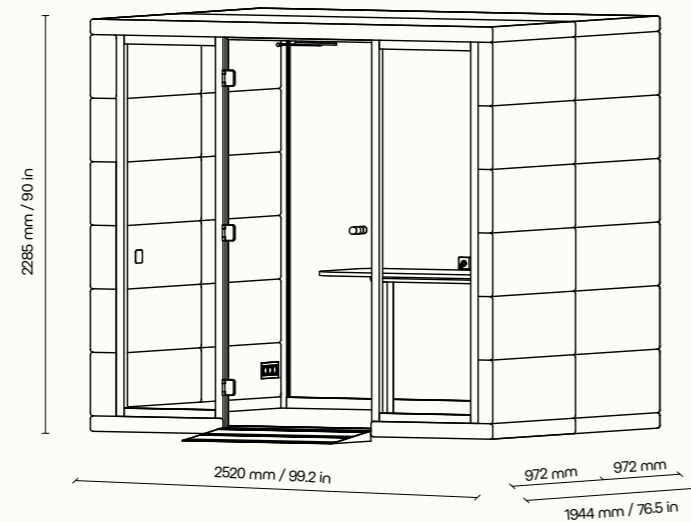





Technical sheet

QUADRIO II ACCESS is a cutting-edge, wheelchair-accessible meeting room with special design features for users with reduced mobility. It offers a quiet, serene workspace with ergonomic design for universal comfort.

TECHNICAL DETAILS

exterior dimensions (w × h × d)	2520 × 2285 × 1944 mm / 99.2 × 90 × 76.5 in
interior dimensions (w × h × d)	2246 × 2128 × 1824 mm / 88.4 × 83.8 × 71.8 in
weight	800 kg / 1764 lb
door opens	left / right (can be changed at location)
glass walls	sound-insulating glass
solid walls	sound-absorbing sandwich panel with acoustic insulation
glass wall frame and door handle	oak/black varnish
ceiling	sound-absorbing sandwich panel with acoustic insulation, the roof is not upholstered
flooring	carpet (anthracite grey)
ventilation	standard air flow: 347 m ³ /h maximum air flow: 492 m ³ /h
lighting	LED, chromaticity temperature 4200 K
standard equipment	electric socket (3×), motion sensor, LED lighting, ventilation, control panel for lighting and air ventilation, table, access ramp, button for automatic door opening, automatic self-closer
optional equipment	refer to the pricelist
color options	decorative fabric (refer to swatches)



certification    *

* FSC certification on request.






QUADRIO III

QUADRIO III offers a variant with a glass ceiling and lets in enough natural light to keep you comfortable even during longer meetings. It can accommodate up to seven people.

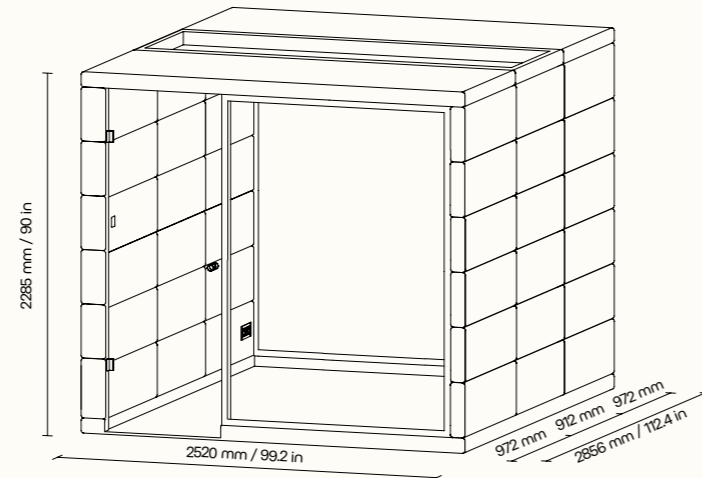
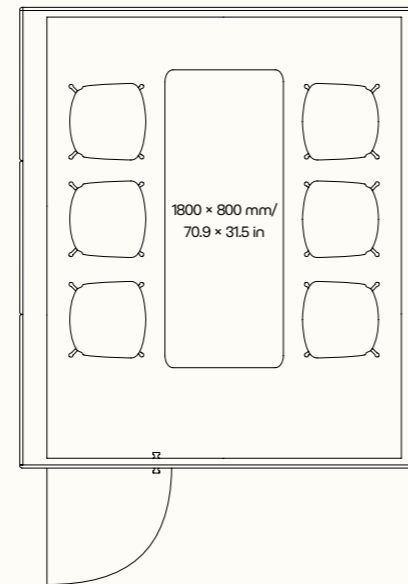


Technical sheet

TECHNICAL DETAILS

exterior dimensions (w × h × d)	2520 × 2285 × 2856 mm / 99.2 × 90 × 112.4 in
interior dimensions (w × h × d)	2245 × 2128 × 2736 mm / 88.4 × 83.8 × 107.7 in
weight	950 kg / 2094 lb
door opens	left / right (can be changed at location)
glass walls	sound-insulating glass
solid walls	sound-absorbing sandwich panel with acoustic insulation
glass wall frame and door handle	oak/black varnish
ceiling	sound-absorbing sandwich panel with acoustic insulation / glazed ceiling, the roof is not upholstered
flooring	carpet (anthracite grey)
ventilation	standard air flow: 433 m ³ /h maximum air flow: 884 m ³ /h
lighting	LED, chromaticity temperature 4200 K
standard equipment	electric socket (3×), motion sensor, LED lighting, ventilation, control panel for lighting and air ventilation
optional equipment	refer to the pricelist
color options	decorative fabric (refer to swatches)
certification	  

* FSC certification on request

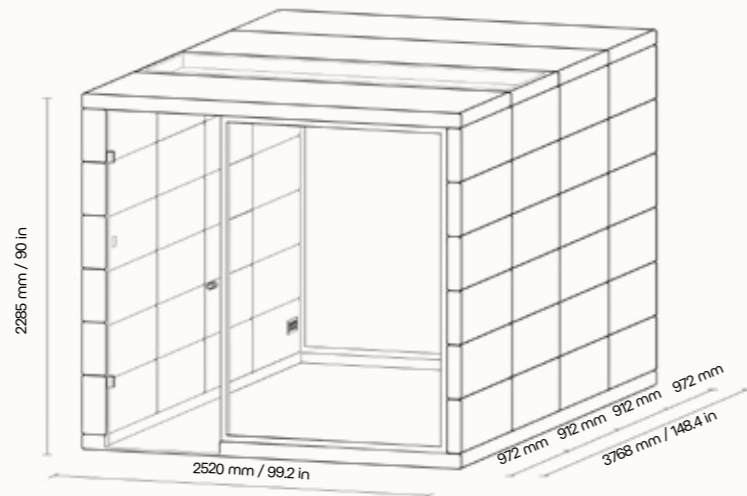
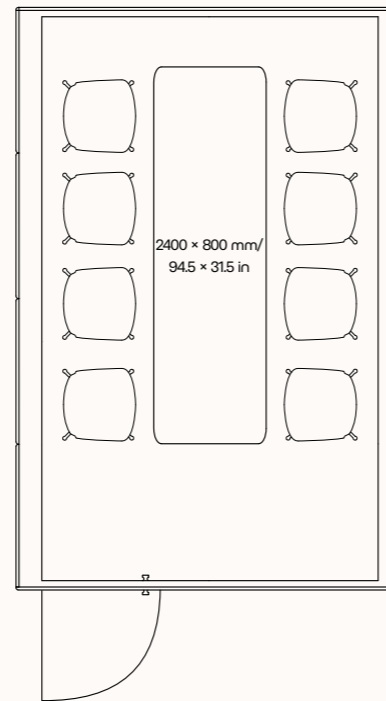


QUADRIO IV

QUADRIO IV offers space for up to nine people. It quickly provides you with a full-fledged meeting room without the need for costly structural changes.

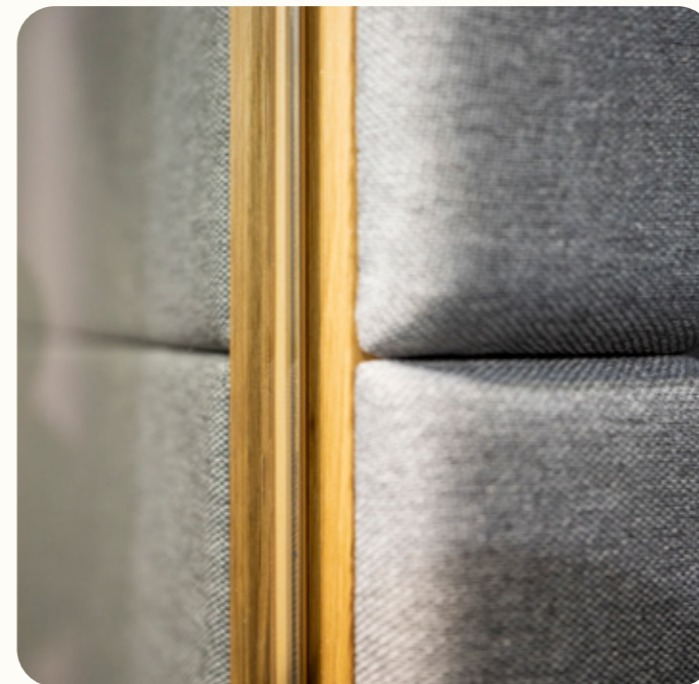


Technical sheet



TECHNICAL DETAILS

exterior dimensions (w × h × d)	2520 × 2285 × 3768 mm / 99.2 × 90 × 148.4 in
interior dimensions (w × h × d)	2245 × 2128 × 3648 mm / 88.4 × 83.8 × 143.6 in
weight	1150 kg / 2535 lb
door opens	left / right (can be changed at location)
glass walls	sound-insulating glass
solid walls	sound-absorbing sandwich panel with acoustic insulation
glass wall frame and door handle	oak/black varnish
ceiling	sound-absorbing sandwich panel with acoustic insulation / glazed ceiling, the roof is not upholstered
flooring	carpet (anthracite grey)
ventilation	standard air flow: 582 m ³ /h maximum air flow: 884 m ³ /h
lighting	LED, chromaticity temperature 4200 K
standard equipment	electric socket (3x), motion sensor, LED lighting, ventilation, control panel for lighting and air ventilation
optional equipment	refer to the pricelist
color options	decorative fabric (refer to swatches)
certification	  
	* FSC certification on request.

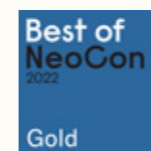




REALM

REALM

**Wellbeing
meeting room
for team comfort
and efficiency**

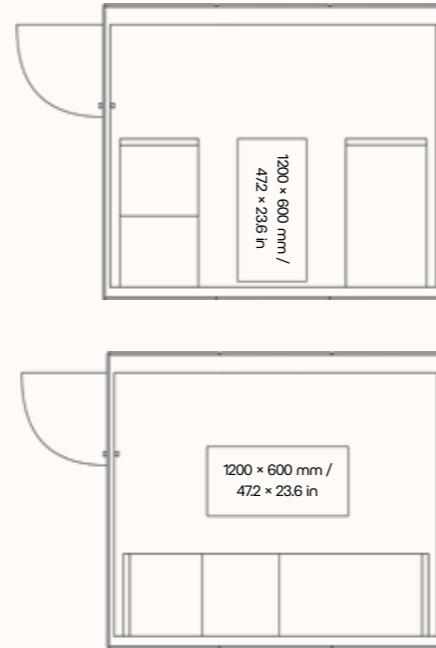


REALM

Are you in the office and still want to feel at home? Achieving workplace comfort is easier than you might think! Whether it's a formal meeting, tackling a big project, or simply having an informal gathering, our wellbeing acoustic meeting room provides the perfect setting.



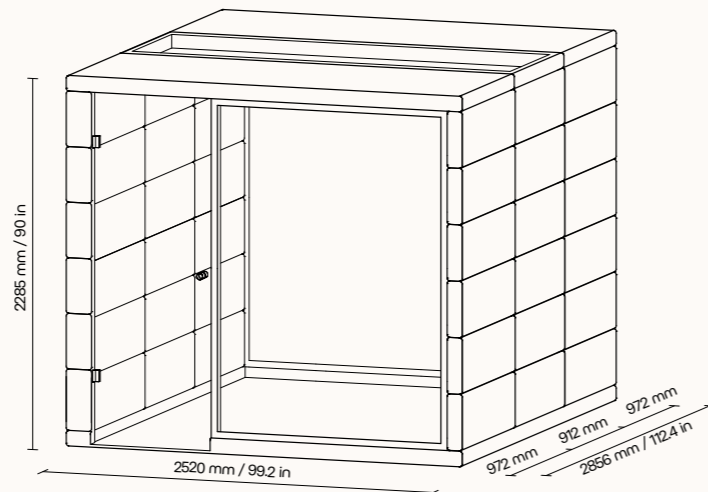
Technical sheet



TECHNICAL DETAILS

exterior dimensions (w × h × d)	2520 × 2285 × 2856 mm / 99.2 × 90 × 112.4 in
interior dimensions (w × h × d)	2245 × 2128 × 2736 mm / 88.4 × 83.8 × 107.7 in
weight	950 kg / 2094 lb
door opens	left / right (can be changed at location)
glass walls	sound-insulating glass
solid walls	sound-absorbing sandwich panel with acoustic insulation
glass wall frame and door handle	oak/black varnish
ceiling	sound-absorbing sandwich panel with acoustic insulation / glazed ceiling, the roof is not upholstered
flooring	carpet (anthracite grey)
ventilation	standard air flow: 433 m ³ /h maximum air flow: 884 m ³ /h
lighting	LED, chromaticity temperature 4800 K
standard equipment	electric socket (3×), motion sensor, LED lighting, ventilation, control panel for air ventilation and lighting, seating, coffee table, shelves, coat hooks, glazed ceiling, AV connection set
optional equipment	refer to the pricelist
color options	decorative fabric (refer to swatches)
certification	  

* FSC certification on request.





ADDITIONAL EQUIPMENT



ADDITIONAL EQUIPMENT

Do you have high standards? We have a whole range of accessories for the discerning customer. You can choose from a variety of furniture and premium technologies that will elevate the quality of your working environment.

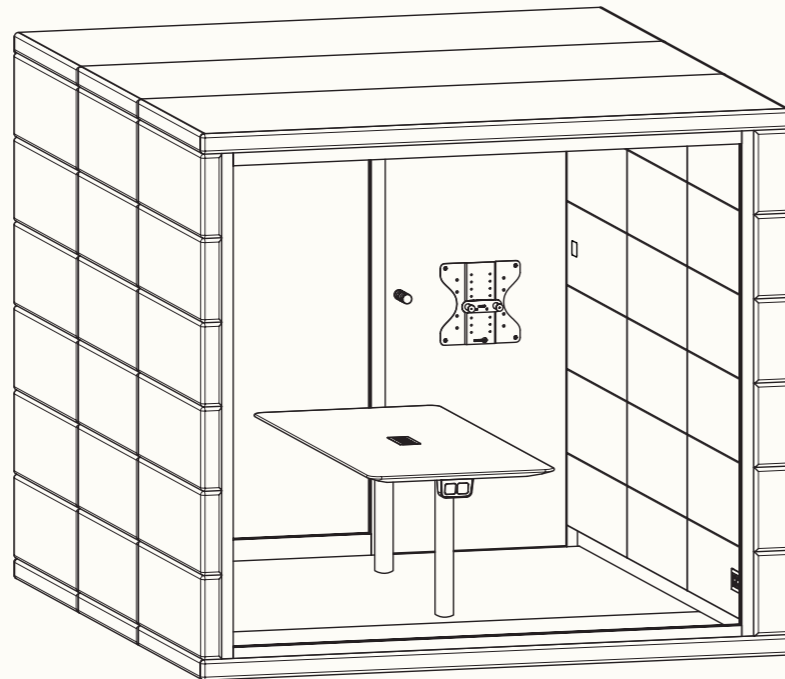
AV CONNECTION SET



Technical sheet

Do you have a client or teammate on the other side of the world? We can deliver our acoustic pods with a complete AV connection set. This makes it easy to install your equipment and the video conferencing experience is almost on par with an in-person meeting.

We can install the AV connection set on the glass wall or on the right side of the panel, whichever you prefer.

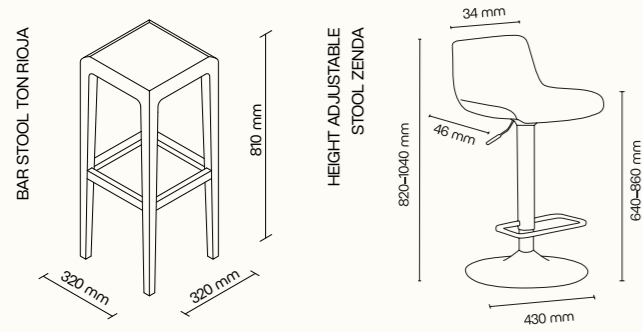


FURNITURE GEN4

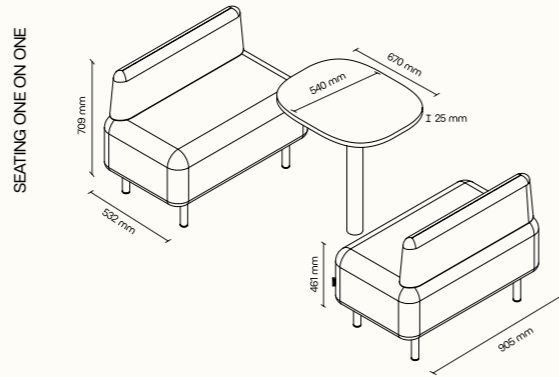


Technical sheet

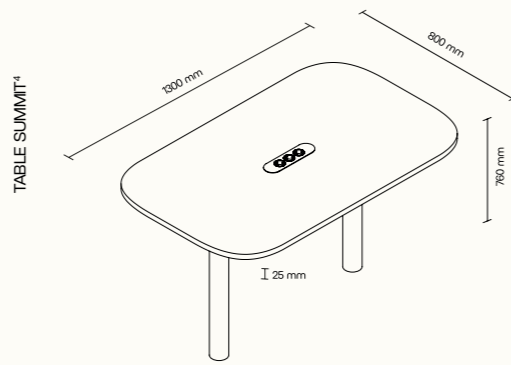
SPOT



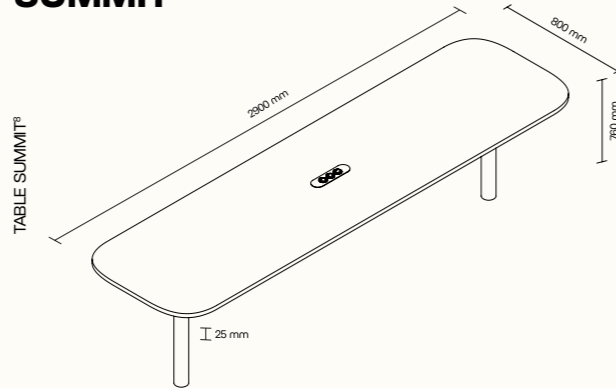
CHAT²



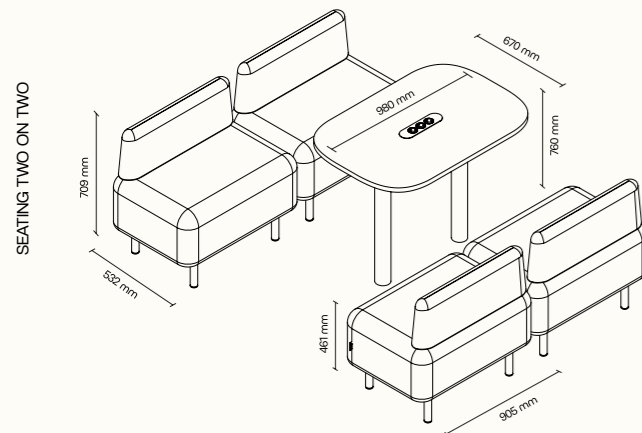
SUMMIT⁴



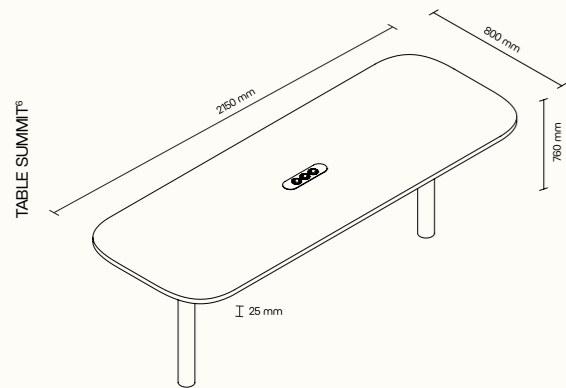
SUMMIT⁸



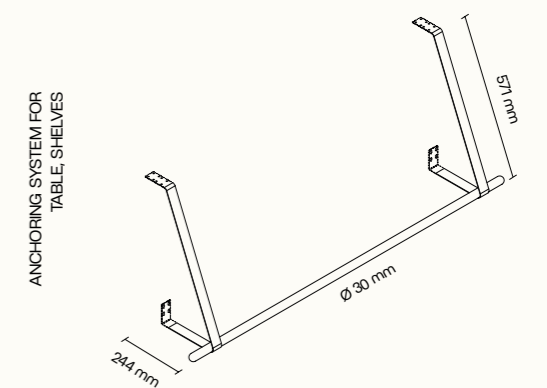
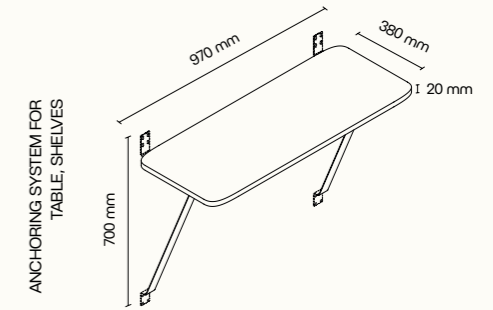
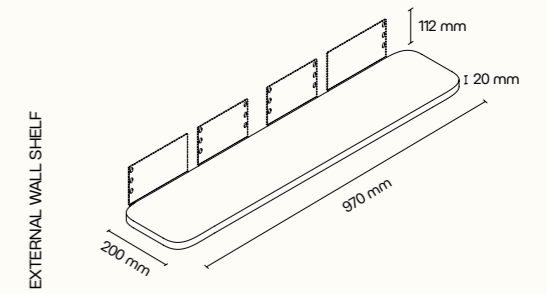
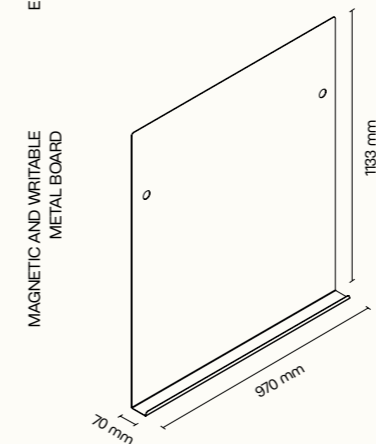
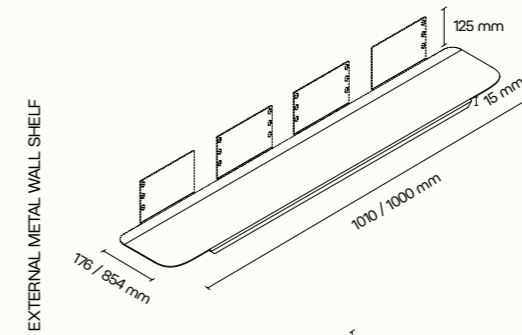
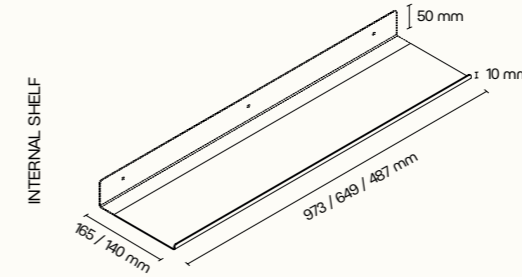
CHAT⁴



SUMMIT⁶



ACCESSORIES



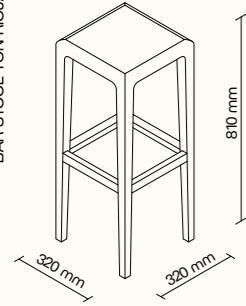
* Detailed information on individual products is available in the technical data sheets.
All furniture dimensions are given in millimeters. Illustration of a possible configuration.

FURNITURE

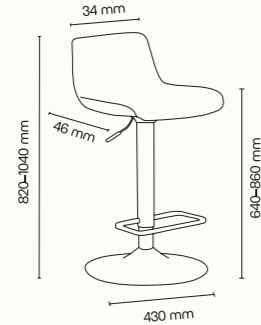
SPARK

SPARK

BAR STOOL TON RIOJA

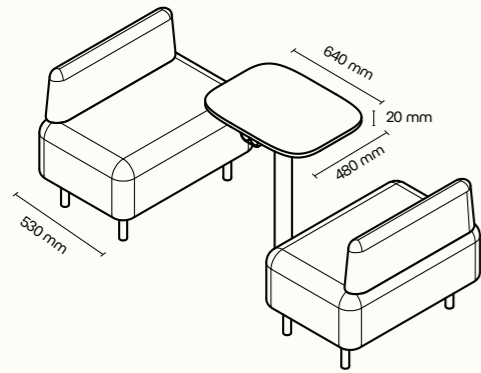


HEIGHT ADJUSTABLE STOOL ZENDA



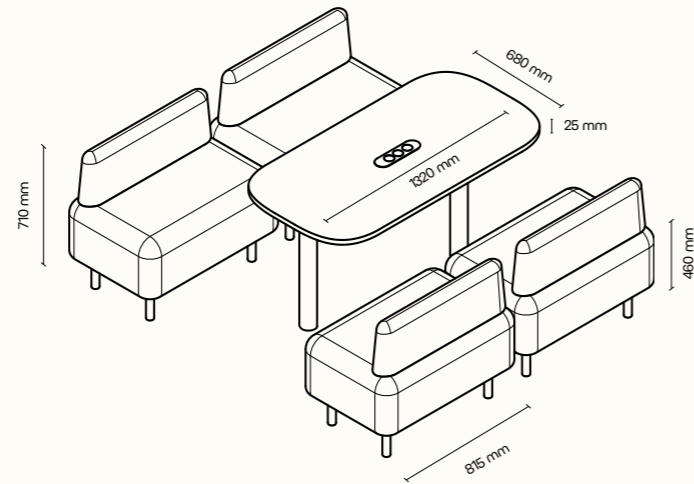
SPARK²

SEATING ONE ON ONE



SPARK⁴

SEATING TWO ON TWO



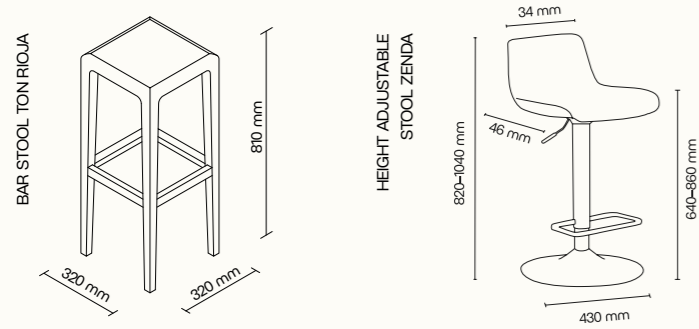
* Detailed information on individual products is available in the technical data sheets.
All furniture dimensions are given in millimeters. Illustration of a possible configuration.



FURNITURE

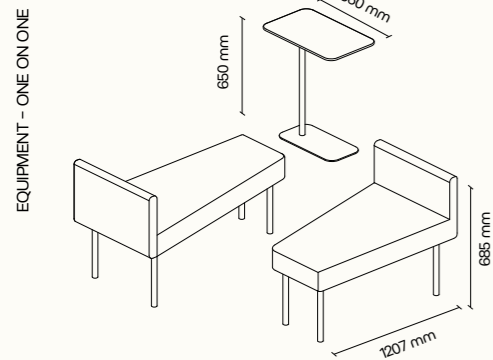
MICROOFFICE

UNIQ/PRIME

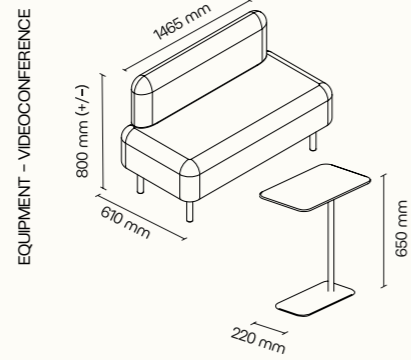


CUBIQ

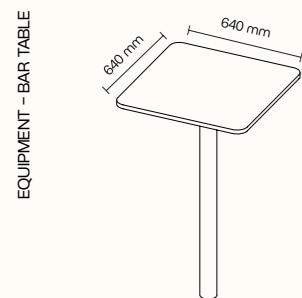
V. 1



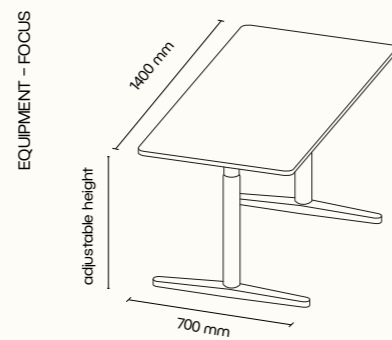
V. 2



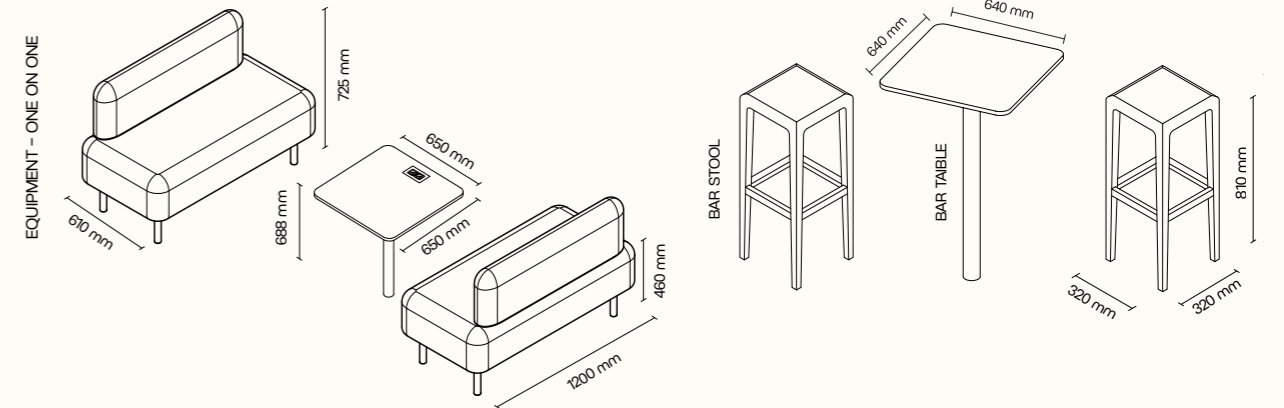
V. 3



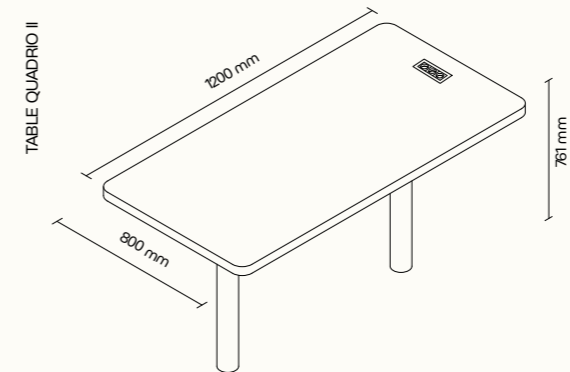
V. 4



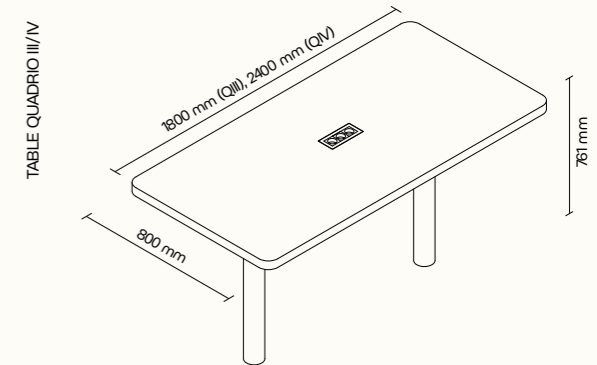
QUADRIO I



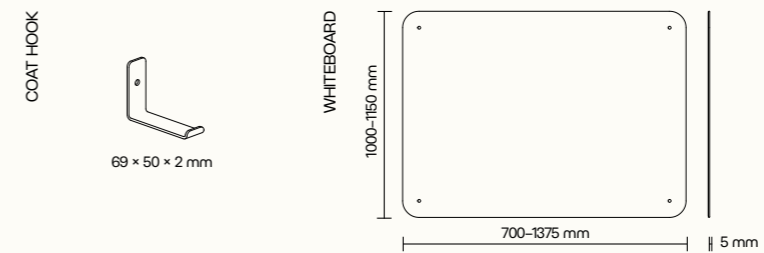
QUADRIO II



QUADRIO III/IV



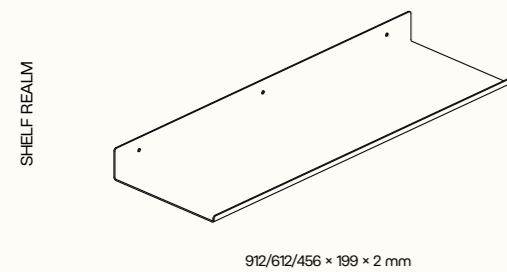
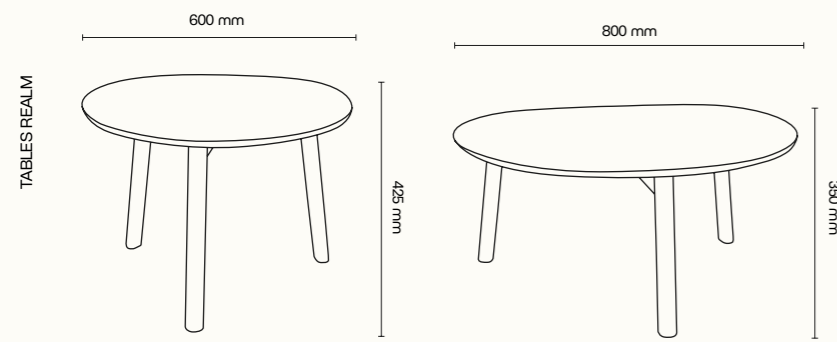
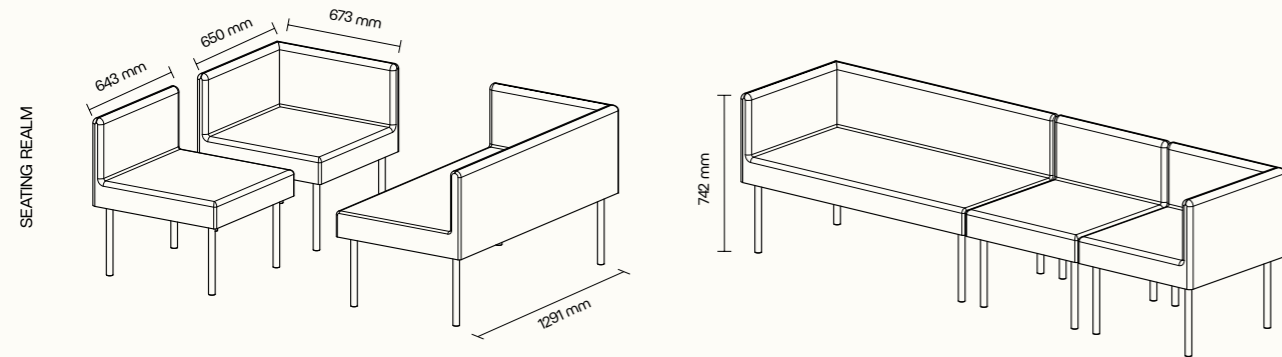
UNIQ/PRIME/CUBIQ/QUADRIO I, II, III, IV, REALM



* Detailed information on individual products is available in the technical data sheets.
All furniture dimensions are given in millimeters. Illustration of a possible configuration.

FURNITURE

REALM



* Detailed information on individual products is available in the technical data sheets.
All furniture dimensions are given in millimeters. Illustration of a possible configuration.



SEATING



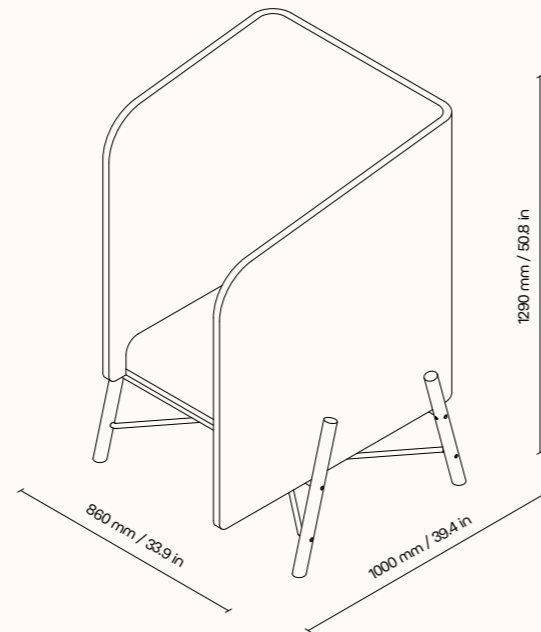
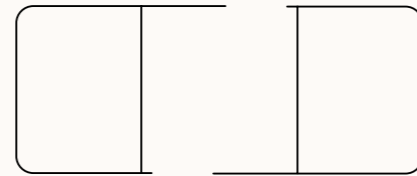
MYSPOBOND

Get comfortable in the MYSPOBOND acoustic armchair. The wide side walls provide plenty of privacy for uninterrupted phone calls or a moment of reflection. You can combine the chairs freely to create the set-up you want.



Technical sheet

top view



TECHNICAL DETAILS

dimensions (w × h × d)	860 × 1290 × 1000 mm / 33.9 × 50.8 × 39.4 in
chair frame	oak, lacquered steel
back rest + pillow	upholstered acoustic PET material
finish	decorative fabric (refer to swatches)



SEATING

SOUND ABSORBERS

LIGHTING

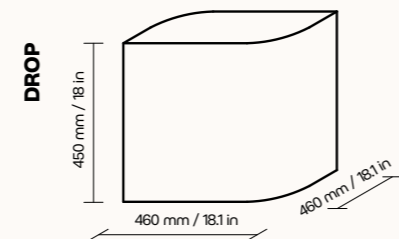
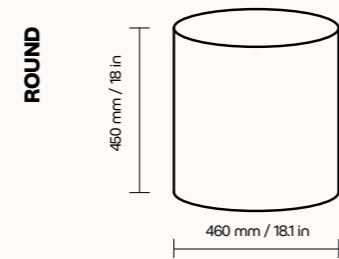
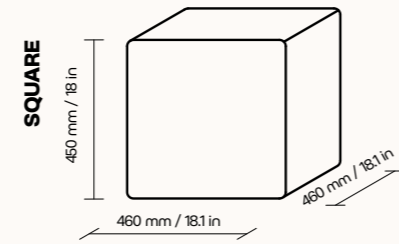
SOUNDMASKING

MOVE

Brighten your office and reduce noise with MOVE acoustic poufs. Lightweight and easily repositioned, these poufs offer high sound absorption and flexible arrangement options.



Technical sheet



TECHNICAL DETAILS

basic dimensions (w × h × d) SQUARE	460 × 450 × 460 mm / 18.1 × 18 × 18.1 in
basic dimensions ROUND	diameter 460 mm / 18.1 in height 450 mm / 18 in
basic dimensions (w × h × d) DROP	460 × 450 × 460 mm / 18.1 × 18 × 18.1 in
filling	high-performance acoustic foam
finish	decorative fabric (refer to swatches)
additional components	felt handle – 100% sheep wool



SEATING

SOUND ABSORBERS

LIGHTING

SOUNDMASKING

PETAL

PETAL modular acoustic poufs enrich informal rest and relaxation areas. Arrange your own unique shape composition tailored to your space and gain excellent acoustic properties at the same time. The poufs are made of lightweight material so you can easily move them wherever you need them.



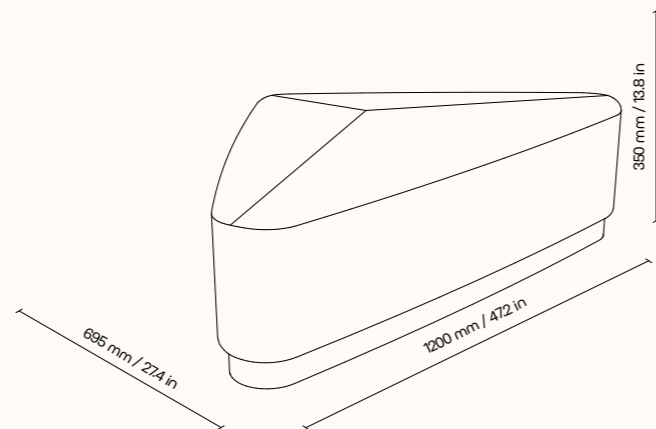
Technical sheet



**BIGSEE
PRODUCTDESIGN
AWARD 2021
WINNER**

TECHNICAL DETAILS

basic dimensions (w × h × d)	1200 × 350 × 695 mm / 47.2 × 13.8 × 27.4 in
filling	high-performance acoustic foam
finish	decorative fabric (refer to swatches)
base	birch plywood with oak veneer



SEATING

SOUND ABSORBERS

LIGHTING

SOUNDMASKING

SOUND ABSORBERS

STILL SKY

An acoustically isolated ceiling reduces the overall noise level in the room, making it easier to concentrate and communicate with colleagues. STILL SKY ceiling panels are an effective acoustic element that absorbs sound in work and leisure areas while serving as an original interior accessory.

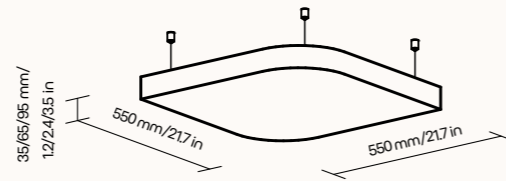


Technical sheet

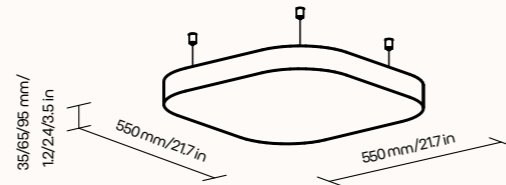
TECHNICAL DETAILS

basic dimensions (w × h × d) leaf	550 × 550 × 35/65/95 mm / 21.7 × 21.7 × 1.2/2.4/3.5 in custom sizes available upon request
basic dimensions (w × h × d) rounded square	550 × 550 × 35/65/95 mm / 21.7 × 21.7 × 1.2/2.4/3.5 in custom sizes available upon request
basic dimensions (w × h × d) square	550 × 550 × 35/65/95 mm / 21.7 × 21.7 × 1.2/2.4/3.5 in custom sizes available upon request
basic dimensions (w × h × d) hexagon	550 × 635 × 35/65/95 mm / 21.7 × 24.8 × 1.2/2.4/3.5 in custom sizes available upon request
supporting frame	MDF (medium-density fibreboard)
filling	high-performance acoustic foam
finish	decorative fabric (refer to swatches)
installation	steel wire (up to 15m long)

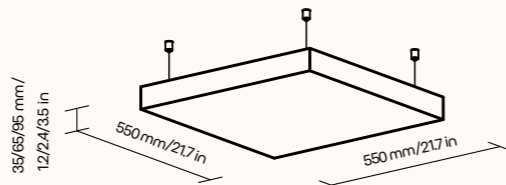
LEAF



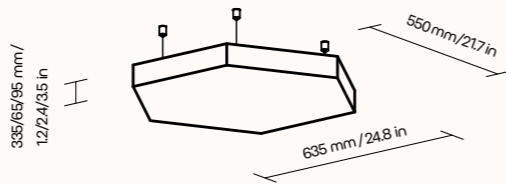
ROUNDED
SQUARE



SQUARE



HEXAGON



SEATING

SOUND ABSORBERS

LIGHTING

SOUNDMASKING

STILL

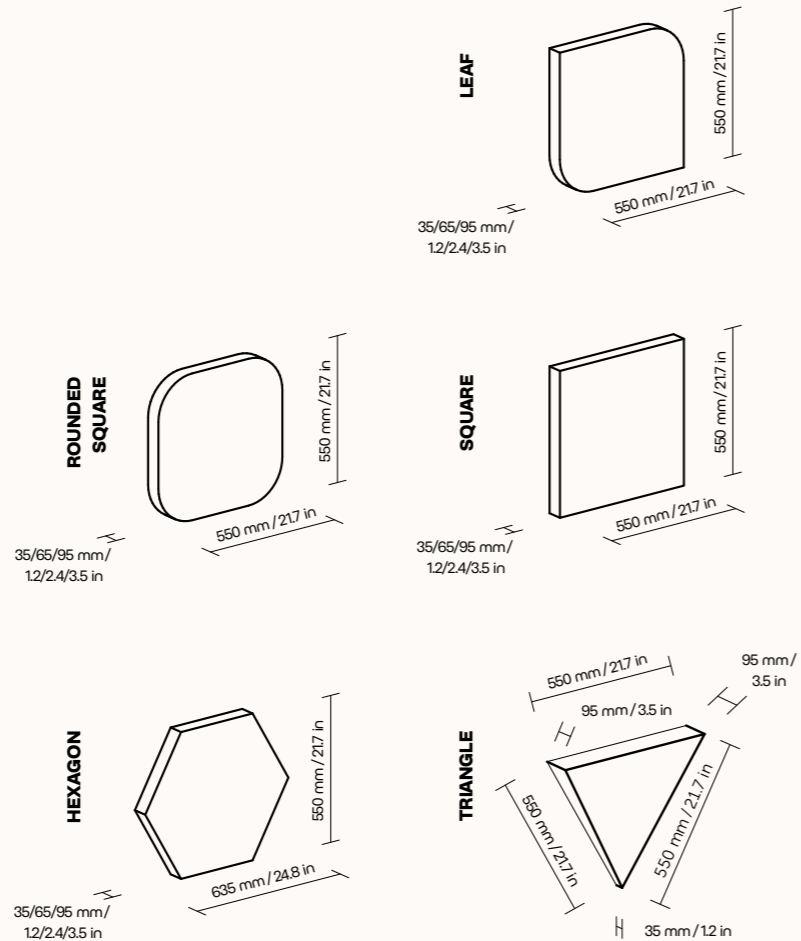
Acoustic wall panels not only improve the overall acoustics in a room, but also serve as a design element. You just need to choose the right shape and a suitable color variant. The advantage of STILL wall panels is that they are designed to absorb the frequencies created by the human voice, reducing background noise while brightening up your office walls.



Technical sheet

TECHNICAL DETAILS

basic dimensions (w × h × d) leaf	550 × 550 × 35/65/95 mm 21.7 × 21.7 × 1.2/2.4/3.5 in custom sizes available upon request
basic dimensions (w × h × d) rounded square	550 × 550 × 35/65/95 mm 21.7 × 21.7 × 1.2/2.4/3.5 in custom sizes available upon request
basic dimensions (w × h × d) square	550 × 550 × 35/65/95 mm 21.7 × 21.7 × 1.2/2.4/3.5 in custom sizes available upon request
basic dimensions (w × h × d) hexagon	635 × 550 × 35/65/95 mm 21.7 × 24.8 × 1.2/2.4/3.5 in custom sizes available upon request
basic dimensions (w × h × d) triangle	550 × 550 × 550 × 35 × 95 × 95 mm 21.7 × 21.7 × 21.7 × 1.2 × 3.5 × 3.5 in
supporting frame	MDF (medium-density fibreboard)
filling	high-performance acoustic foam
finish	decorative fabric (refer to swatches)
installation	wall-mounted/with contact adhesive



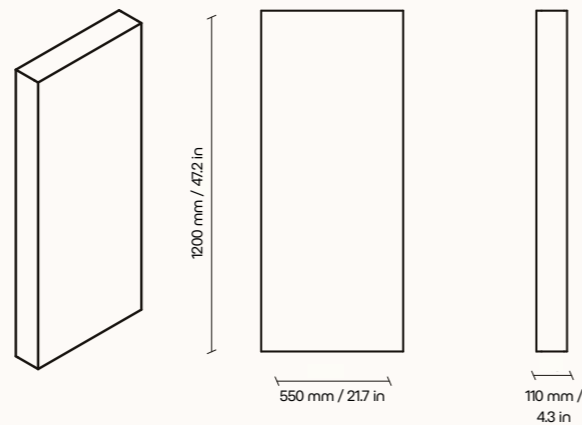
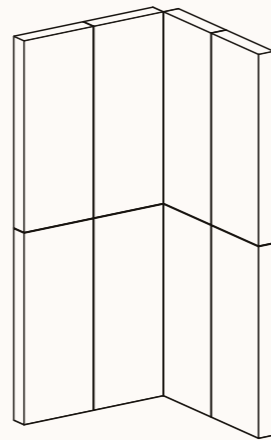
RESOBAR

The RESOBAR acoustic resonator absorbs specific frequencies in the 250-315 Hz band, which are lower frequencies than standard porous absorbers. For this reason, it is a suitable addition to conference rooms for optimal functionality of AV technology.

Available in a wide range of colours, the Resobar aesthetically enriches the interior and easily matches the STILL design range from SilentLab.



Technical sheet



TECHNICAL DETAILS

basic dimensions (w × h × d)	550 × 1200 × 110 mm / 21.7 × 47.2 × 4.3 in
weight	16,7 kg
frequency of resonator	250–315 Hz
construction	MDF (medium-density fibreboard)
filling	high-performance acoustic foam
surface finish	decorative fabric (refer to swatches)
installation	suspension system



MYSPACE

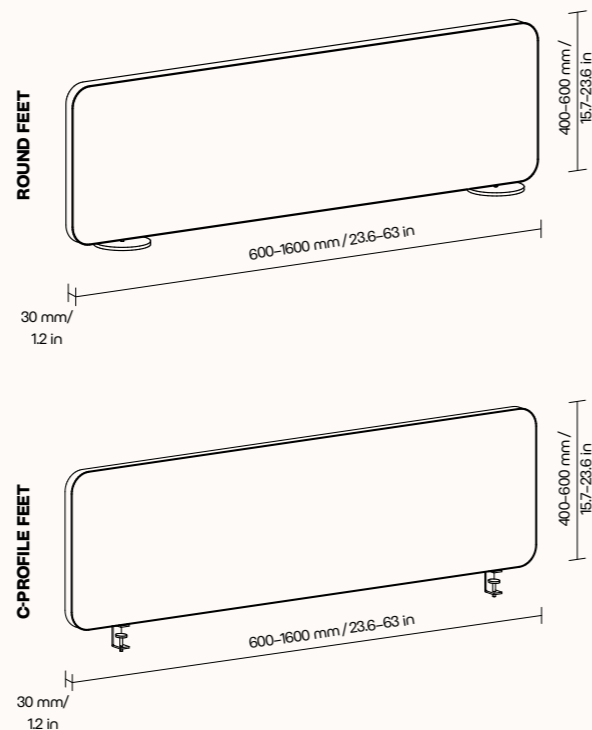
The best way to separate individual workstations in an open space is to use a desktop acoustic divider. MYSPACE desktop dividers are made of top-quality acoustic foam specially developed for noise absorption. The divider's surface made of a solid, high-quality fabric also serves as a private notice board.



Technical sheet

TECHNICAL DETAILS

basic dimensions	standard height 400 and 600 mm / 15.7 and 23.6 in standard width up to 1600 mm / 63 in custom sizes available upon request
material	central supporting plate lined with sound-absorbing material
finish	decorative fabric (refer to swatches)
feet	round coated steel/C-profile coated steel (colors according to swatches)



SEATING

SOUND ABSORBERS

LIGHTING

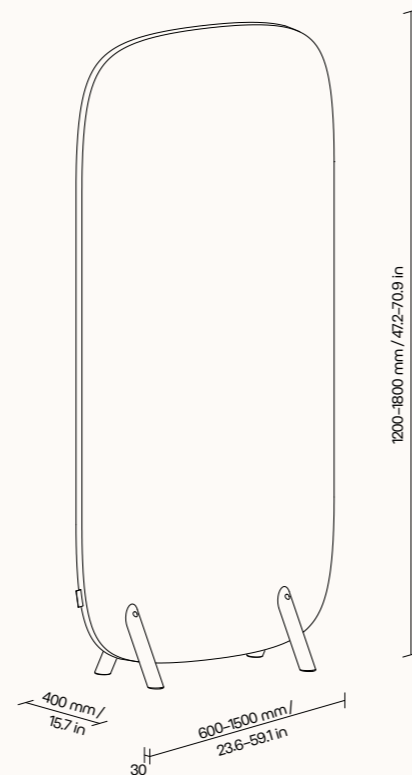
SOUNDMASKING

SHADE TIMBER

Set up SHADE TIMBER dividers in the office to instantly create an acoustic barrier that absorbs unwanted sounds. This allows you to dampen, for example, the conversation of colleagues over a cup of coffee or the noise of the printer. The dividers are very easily portable and you can position them to suit your needs and your office layout.



Technical sheet



TECHNICAL DETAILS

basic dimensions	standard height 1200, 1500 and 1800 mm / 47.2, 59.1 and 70.9 in standard width up to 1500 mm / 59.1 in custom sizes available upon request
material	support plate covered on both sides with sound-absorbing material
finish	decorative fabric (refer to swatches)
feet	solid oak wood



SEATING

SOUND ABSORBERS

LIGHTING

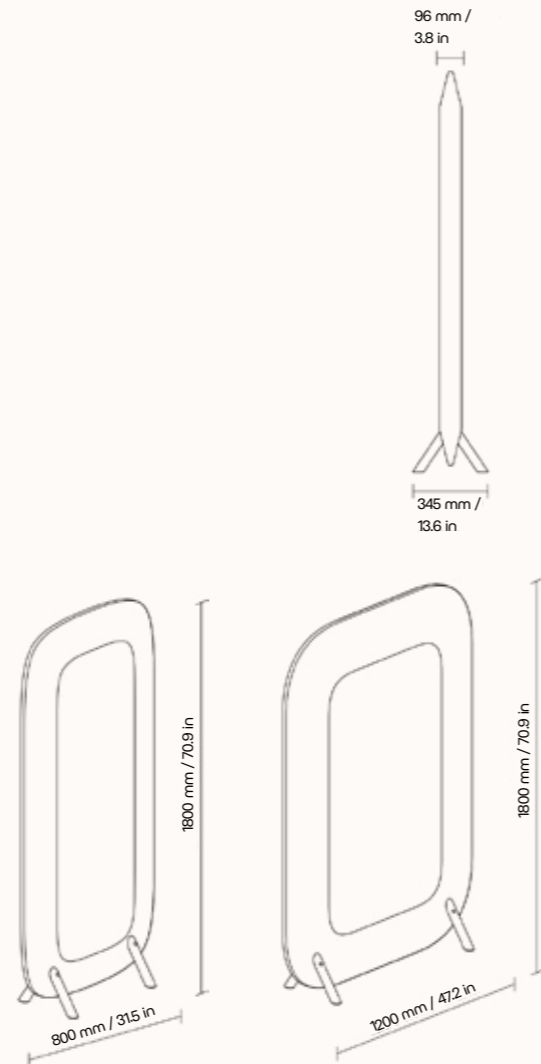
SOUNDMASKING

SHADE HEAVY

Can greater thickness be an advantage? In the case of the SHADE HEAVY divider, yes. The divider is thicker than standard types, making it easier to absorb unwanted sounds. Simply arrange the dividers around the office and the desired peace and quiet will prevail.



Technical sheet



TECHNICAL DETAILS

basic dimensions (w × h)	800 × 1800 mm / 31.5 × 70.9 in 1200 × 1800 mm / 47.2 × 70.9 in
material	support plate covered on both sides with special sound-absorbing material
finish	decorative fabric (refer to swatches)
feet	solid oak wood
acoustic properties	aw* = 1,00 – class A – very high absorptive (weighted coefficient of sound absorption)

* measured in compliance with ISO 354, evaluated in conformity with ISO 11654



SHADE MARK

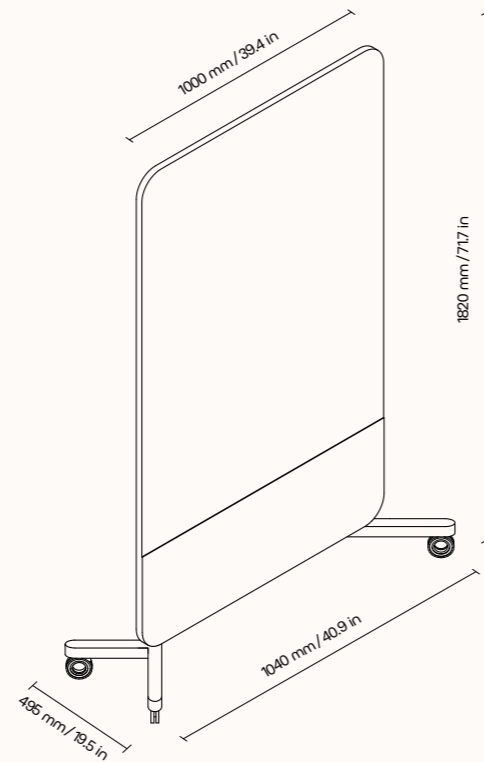
The SHADE MARK serves two useful functions in the workplace. Like our other dividers, it absorbs noise and minimizes the inconvenience of an open space office. This version, however, also has a glass writing surface on one side, doubling as a whiteboard for notes, presentations, brainstorming sessions and other team meetings.



Technical sheet

TECHNICAL DETAILS

basic dimensions	standard height 1820 mm / 71.7 in including wheels 1700 mm / 66.9 in only the divider 1350 mm / 53.1 in whiteboard
	standard width 1040 mm / 40.9 in including wheels 1000 mm / 39.4 in only the divider
material	frame filled with sound-absorbing material, glass board, coated holder tray (RAL 9003)
finish	decorative fabric (refer to swatches)
feet	varnished plywood feet with grey wheels



SEATING

SOUND ABSORBERS

LIGHTING

SOUNDMASKING

MOSS

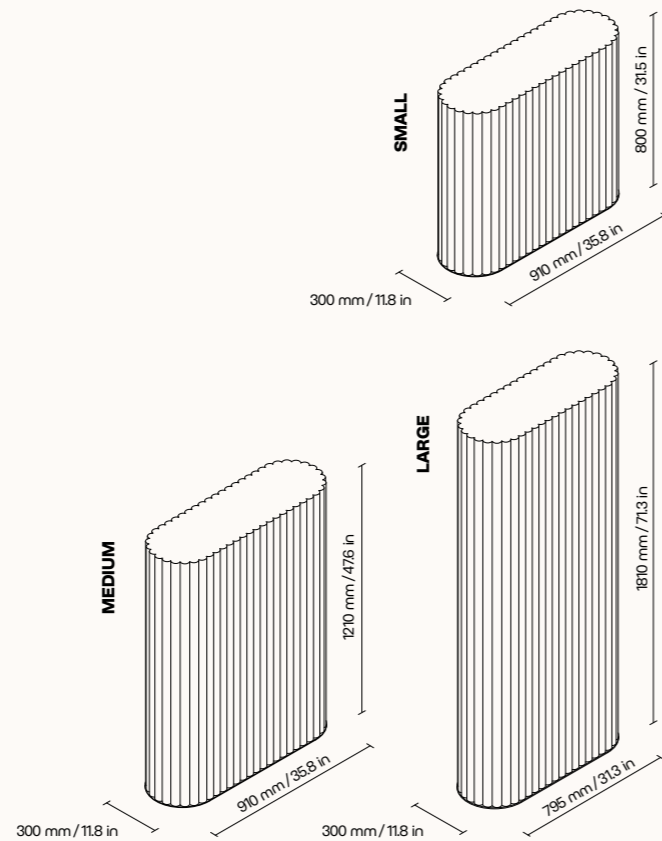
Functional and beautiful. The MOSS acoustic object will enchant you at first sight. We have specially developed its material to absorb ambient noise, while at the same time it works well in a space as an unusual design element. We offer MOSS in three sizes and ten fashionable colors, which you can combine freely.



Technical sheet

TECHNICAL DETAILS

basic dimensions (w × h × d) SMALL	910 × 810 × 300 mm / 31.9 × 35.8 × 11.8 in
basic dimensions (w × h × d) MEDIUM	910 × 1210 × 300 mm / 35.8 × 47.6 × 11.8 in
basic dimensions (w × h × d) LARGE	795 × 1810 × 300 mm / 31.3 × 71.3 × 11.8 in
filling	high-performance acoustic foam
finish	flock (color refer to swatches)
base	lacquered steel



SEATING

SOUND ABSORBERS

LIGHTING

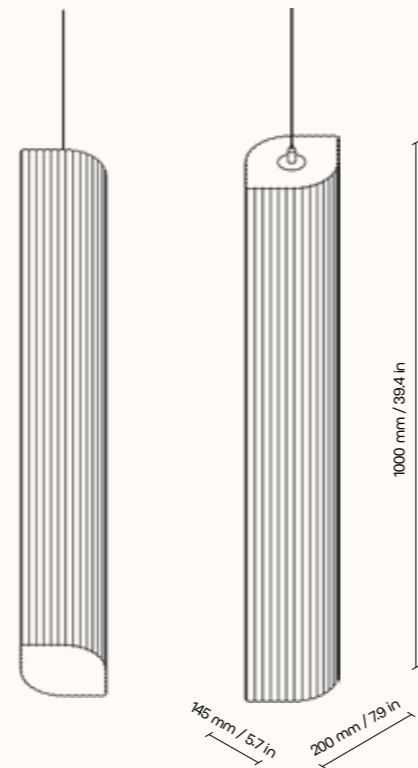
SOUNDMASKING

MOSS HANG

An acoustic object that will enchant you with its aesthetics and maximum functionality. The material absorbs ambient sound and helps to enhance the office environment. MOSS HANG is variable and can be placed as a stand-alone hanging object, or in any configuration you choose.



Technical sheet



TECHNICAL DETAILS

basic dimensions (w × h × d)	200 × 1000 × 145 mm / 7.9 × 39.4 × 5.7 in
filling	high-performance acoustic foam
finish	flock (color based on the color samples)



SEATING

SOUND ABSORBERS

LIGHTING

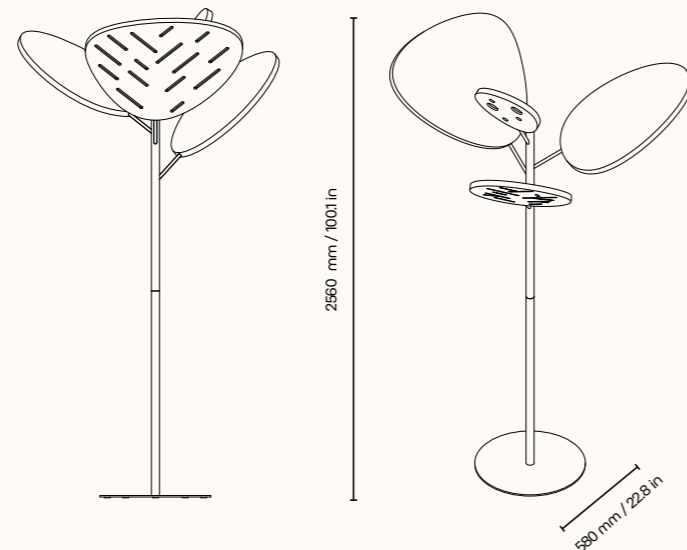
SOUNDMASKING

SILENT TREE

This innovative acoustic object from designer Jiří Pelc represents a combination of modern design and functionality that perfectly meets the needs of modern work spaces. Its unique shape in the form of a tree has aesthetic value and also significantly reduces environmental noise, thereby improving working conditions for employees.



Technical sheet



TECHNICAL DETAILS

design	Atelier Pelc
basic dimensions (w × h × d)	1360 × 2560 × 1360 mm / 53.5 × 100.1 × 53.5 in
fabric finish	acoustic material PET – color emerald green
metal construction	coated steel – RAL 6015 black



SEATING

SOUND ABSORBERS

LIGHTING

SOUNDMASKING

MUTE

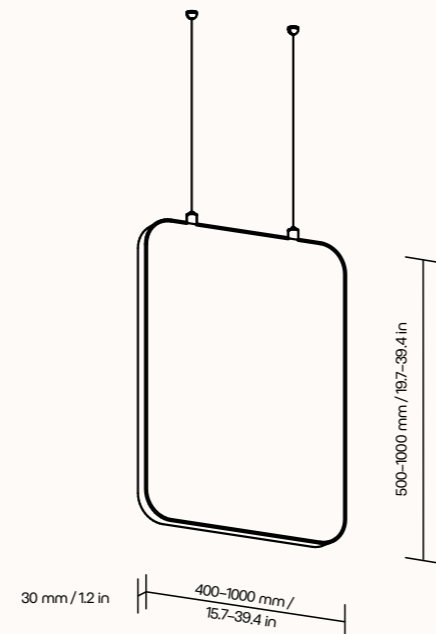
The MUTE hanging dividers function not only as an acoustic but also as a design element. They effectively reduce echoes and provide gentle soundproofing wherever necessary. The hanging dividers visually divide large areas into smaller spaces without making any structural changes.



Technical sheet

TECHNICAL DETAILS

basic dimensions	standard height 500 and 1000 mm / 19.7 and 39.4 in standard width 400, 700 and 1000 mm / 15.7, 27.6 and 39.4 in standard dimensions 500 × 1000 × 30 mm / 19.7 × 39.4 × 1.2 in custom sizes available upon request
material	central supporting plate lined with sound-absorbing material
finish	decorative fabric (refer to swatches)
installation	steel wire (up to 1.5m long)



SEATING

SOUND ABSORBERS

LIGHTING

SOUNDMASKING

LIGHTING



MUTE LIGHT

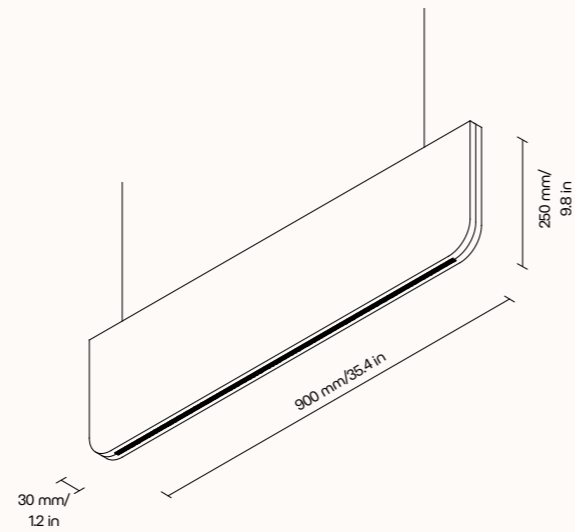
MUTE LIGHT acoustic dividers offer a unique option for soundproofing where necessary and also visually divide the space without any structural modifications. The dividers boast LED lighting that will brighten up your office or home.



Technical sheet

TECHNICAL DETAILS

basic dimensions (w × h × d)	standard dimension 900 × 250 × 30 mm / 35.4 × 9.8 × 1.2 in custom sizes available upon request
material	central supporting plate cover with sound-absorbing material
finish	decorative fabric (refer to swatches)
installation	steel wire (up to 1.5m long)
lighting	LED, chromaticity temperature 4200 K



SEATING

SOUND ABSORBERS

LIGHTING

SOUNDMASKING

BLOOM

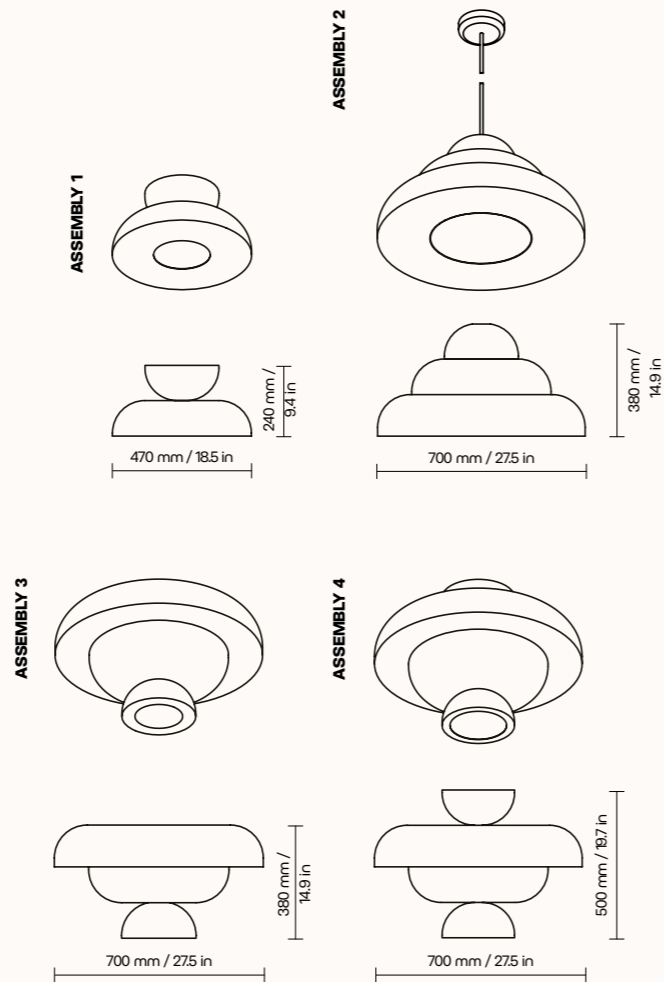
An acoustic light that transforms the interior and makes it shine. It is made from an innovative material – acoustic foam, which absorbs sound. Available in a selection of ten fashionable tones.



Technical sheet

TECHNICAL DETAILS

design	Studio Olgoj Chorchoj
basic dimensions (w × h)	
assembly 1	470 × 240 mm / 18.5 × 9.4 in
assembly 2	700 × 380 mm / 27.5 × 14.9 in
assembly 3	700 × 380 mm / 27.5 × 14.9 in
assembly 4	700 × 500 mm / 27.5 × 19.7 in
material	high-performance acoustic foam
surface finish	flock (color according to swatch)
light source	15 W/30 W
lighting temperature	daylight white
chromaticity temperature	4200 K
suspension system	steel cable with canopy at the ceiling
type of anchoring	canopy anchored to the ceiling structure
certification	



SEATING

SOUND ABSORBERS

LIGHTING

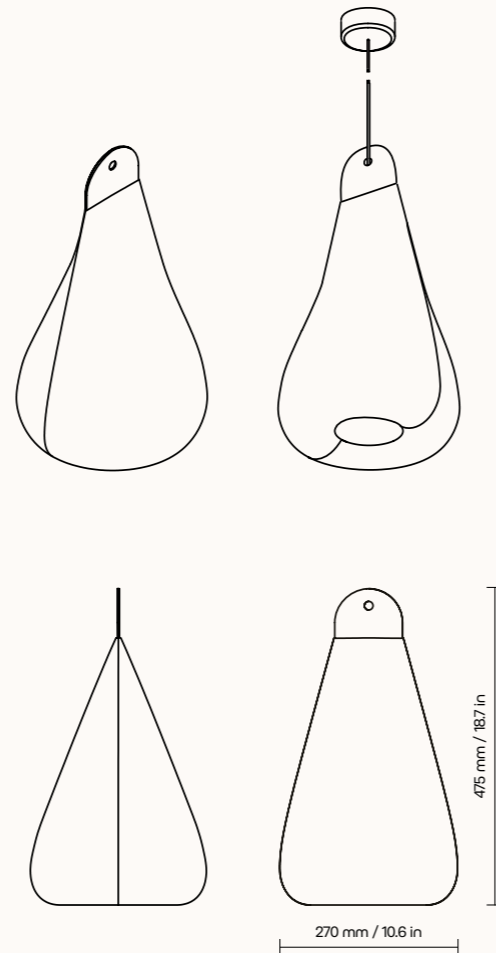
SOUNDMASKING

DROP

DROP ambient lighting provides atmosphere while improving the acoustic conditions in the space. Today's interiors increasingly place the emphasis on productivity, which is influenced by a number of factors including the amount of light and noise. This elegant lighting with sound absorption fits functionally into office relaxation zones or even at home.



Technical sheet



TECHNICAL DETAILS

design	Studio Olgoj Chorchoj
basic dimensions (w × h × d)	270 × 475 × 270 mm / 10.6 × 18.7 × 10.6 in
finish	see fabric samples AMBIENT and PULSE
supply voltage	230 V, 60 Hz
light source power	5 W
chromaticity temperature	4200 K
suspension system	textile cable with canopy at the ceiling
type of anchoring	canopy anchored to the ceiling structure
certification	



SOUNDMASKING



SOUNDMASKING

Having trouble concentrating due to background noise and a lack of privacy? We've created a solution just for you. Soundmasking is an innovative acoustic system that reduces stress in the workplace while boosting overall productivity. Installing Soundmasking is easy, requiring no alterations to your space, while its low operating costs help conserve corporate budgets.



Technical sheet

TECHNICAL DETAILS

basic dimensions (w × h × d) SOUNDMASK GQ	483 x 200 x 44 mm / 19 × 7.9 × 1.7 in (without antenna)
basic dimensions (w × h) SUSPENSION SPEAKER I	180 x 115 mm / 7.1 x 4.5 in
basic dimensions (w × h) CUT IN SPEAKER	240 x 150 mm / 9.4 x 5.9 in
basic component	random noise generator
color	white/black

BASIC COMPONENTS



SOUNDMASK
GQ

SPEAKER TYPES



SUSPENSION
SPEAKER



CUT
IN SPEAKER





MATERIAL LINES

MATERIAL LINES

Have you chosen the best acoustic solution for your office?
Now you can choose from a range of colors in one of our three material lines.

SOFT

The basic SOFT series is the most affordable version of our products. It combines functionality and simplicity of materials, BOMBAY fabrics look professional and warm at the same time. They are also water-repellent and stain-resistant.

AMBIENT

The AMBIENT mid range presents two attractive options. ASPECT textiles with a soft, touchable pattern that is made of Trevira CS flame retardant fiber. The second option is WOOLLAND, a durable fabric made of natural wool fibers treated to be flame retardant and water repellent.

PULSE

The top of the range PULSE puts the emphasis on superior texture and an excellent tactile experience thanks to its natural materials.

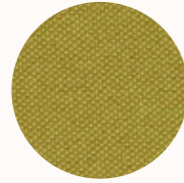
BOMBAY



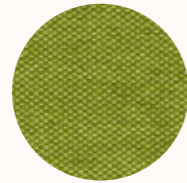
BO56



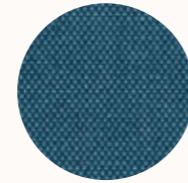
BO36



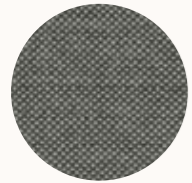
BO25



BO38



BO57



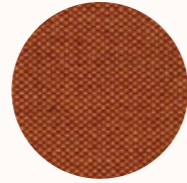
BO26



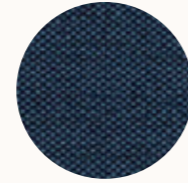
BO34



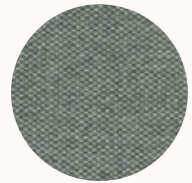
BO15



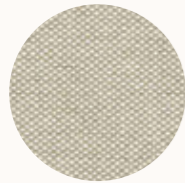
BO39



BO37



BO06



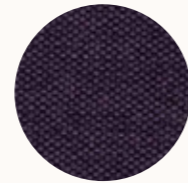
BO04



BO24



BO79



BO89

TECHNICAL DETAILS

composition	100% polyester
weight	350 g/m ²
width	140 cm
abrasion resistance	> 100 000 martindale



SOFT
AMBIENT
PULSE

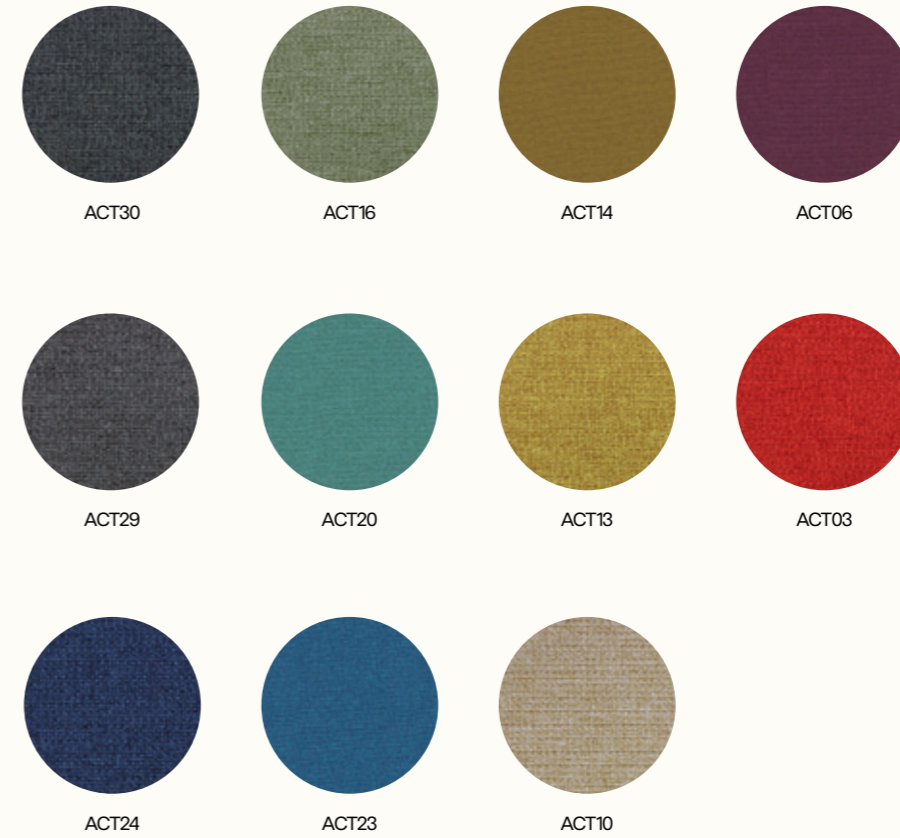
WOOLLAND



TECHNICAL DETAILS

composition	70% recycled sheep wool, 30% polyamide
weight	400 g/m ²
width	150 cm
abrasion resistance	> 100 000 martindale

ASPECT



TECHNICAL DETAILS

composition	75% Trevira CS, 25% polyester
weight	325 g/m ²
width	140 cm
abrasion resistance	> 50 000 martindale

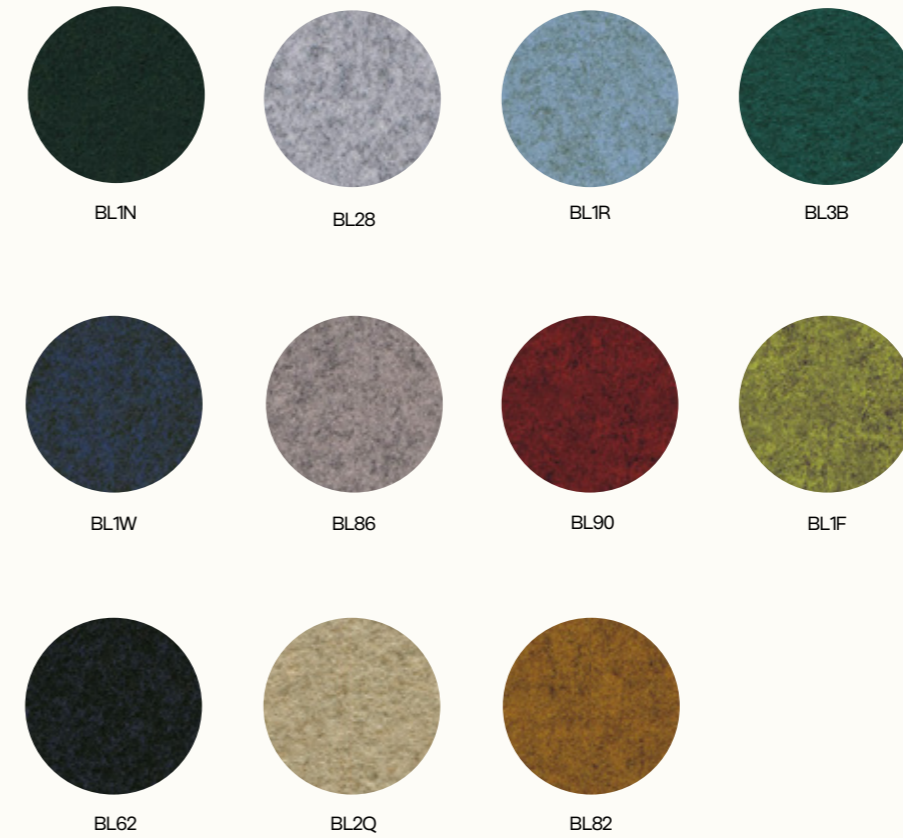
SYNERGY



TECHNICAL DETAILS

composition	95% virgin sheep's wool, 5% polyamide
weight	400 g/m ²
width	140 cm
abrasion resistance	> 100 000 martindale

BLAZER

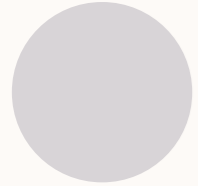


TECHNICAL DETAILS

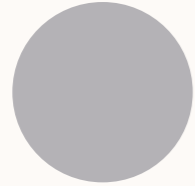
composition	100% virgin sheep's wool
weight	460 g/m ²
width	140 cm
abrasion resistance	> 50 000 martindale

FINISH

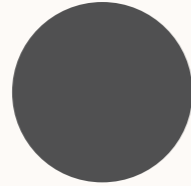
SPARK



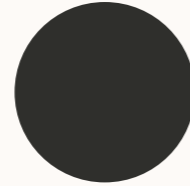
RAL 9016
(white)



RAL 9018
(silky grey)



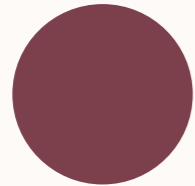
RAL 7043
(dark grey)



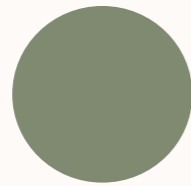
RAL 9005
(carbon black)



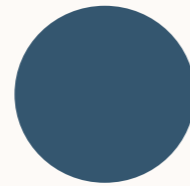
RAL 1018
(spring yellow)



RAL 4002
(smooth red)



RAL 6021
(delicate green)

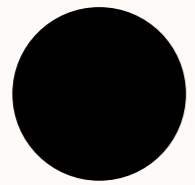


RAL 5009
(moody blue)

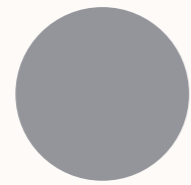
FEET - MYSPACE



RAL 9003
(white)



RAL 9004
(black)

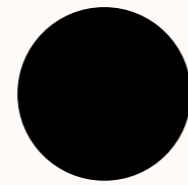


RAL 7004
(grey)

FRAMES - GEN4 & MICROOFFICE

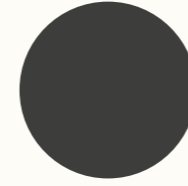


OAK

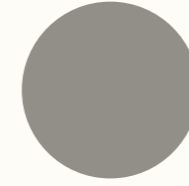


RAL 9004
(black)

MOSS / MOSS HANG / BLOOM



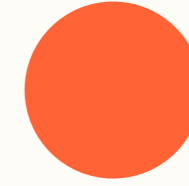
8744
(dark grey)



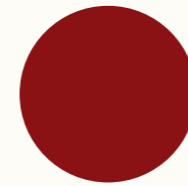
8713
(grey)



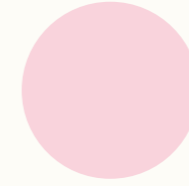
8510
(yellow)



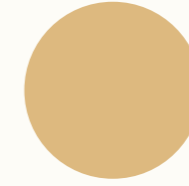
8100
(orange)



8120
(dark red)



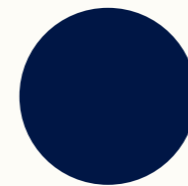
1803
(pink)



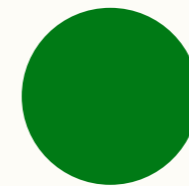
119
(beige)



RAW NEW
(ivory)



8211
(dark blue)



706
(green)



CONTACT INFORMATION

+420 733 739 065
info@silent-lab.com
www.silent-lab.com

COMPANY ADDRESS

SilentLab s.r.o.
Za Zastávkou 373
111 01 Prague 10 – Czech Republic

PRODUCTION FACILITY

SilentLab s.r.o.
Řípská 1181/18a
600 11 Brno-Slatina – Czech Republic

The final product configuration may differ
from the versions shown in the photographs.

All GEN4, SPARK and MICROOFFICE® products are patented or patent pending.
SilentLab®, MICROOFFICE® and its logo are registered trademarks of SilentLab s.r.o.



**Co-funded by
the European Union**

All intellectual property rights ("Rights"), whether registered or not, relating to any content, texts, photographs, images, logos, instructions, designs, technical solutions, etc. ("Content") are the property of SilentLab s.r.o. ("Owner") and any interference with these Rights to any Content or part thereof without the prior express and written consent of the Owner is not permitted.

Any use of the Content not expressly authorized in writing in advance, with the exception of internal and non-commercial use of the unmodified Content for the purposes of the customer's own order, is considered an infringement of the Owner's Rights. In particular (not exclusively), any reproduction, change, addition, merger or other modification of the Content is prohibited without the prior express written consent of the Owner.

feel well work well