

# MYSPACE

silentlab

MYSPACE acoustic table screens divide large open space offices into individual workstations. The key material is top quality acoustic foam specially developed for noise absorption. Thanks to the highly high-quality fabrics, you can also use them as notice boards.

SOUND  
ABSORBERS





## Technical details

basic dimensions	standard height 400 and 600 mm / 15.7 and 23.6 in standard width up to 1600 mm / 63 in custom sizes available upon request
material	central supporting plate lined with sound-absorbing material
finish	decorative fabric (refer to swatches)
feet	round coated steel/C-profile coated steel

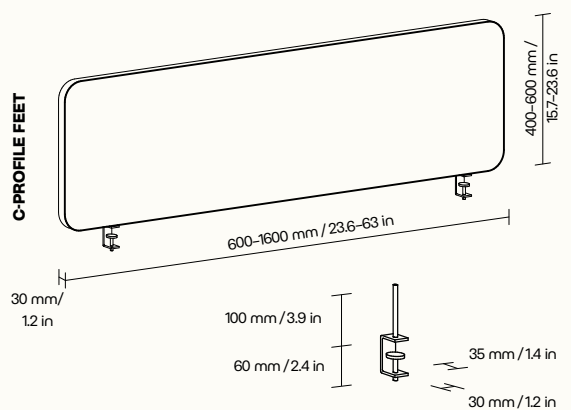
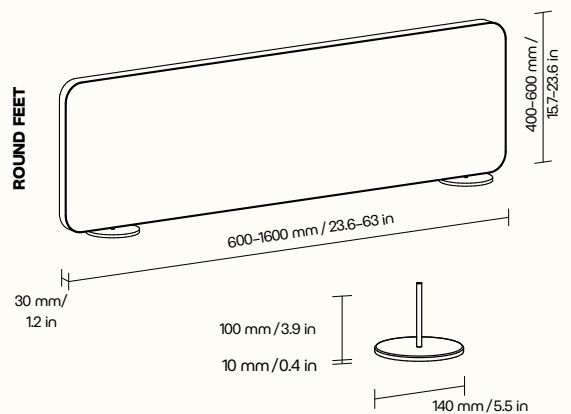


RAL 9003  
(white)



RAL 9004  
(black)

\* Feet additional fee.



All intellectual property rights („Rights“), whether registered or not, relating to any content, texts, photographs, images, logos, instructions, designs, technical solutions, etc. („Content“) are the property of SilentLab s.r.o. („Owner“) and any interference with these Rights to any Content or part thereof without the prior express and written consent of the Owner is not permitted. Any use of the Content not expressly authorized in writing in advance, with the exception of internal and non-commercial use of the unmodified Content for the purposes of the customer's own order, is considered an infringement of the Owner's Rights. In particular (not exclusively), any reproduction, change, addition, merger or other modification of the Content is prohibited without the prior express written consent of the Owner.

The final product configuration may differ from the versions shown in the photographs.  
SilentLab®, MICROOFFICE® and their logos are registered trademarks of SilentLab s.r.o. All MICROOFFICE products are patent pending.

version 2025.1