

TON RIOJA

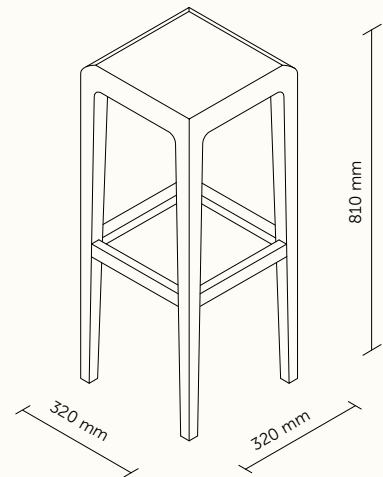
silentlab



A lightly built stool, cleanly designed, with rounded edges that do not spoil the overall impression in the space. The Rioja fits in practically everywhere and, while it doesn't take up much space, its handcrafted workmanship attracts a lot of attention. Designed by German designers from Lounge Designgroup.

FURNITURE





Technical details

dimensions (w × h × d)	320 × 810 × 320 mm
weight	5,4 kg
material	oak with a natural oil finish

All intellectual property rights („Rights“), whether registered or not, relating to any content, texts, photographs, images, logos, instructions, designs, technical solutions, etc. („Content“) are the property of SilentLab s.r.o. („Owner“) and any interference with these Rights to any Content or part thereof without the prior express and written consent of the Owner is not permitted. Any use of the Content not expressly authorized in writing in advance, with the exception of internal and non-commercial use of the unmodified Content for the purposes of the customer’s own order, is considered an infringement of the Owner’s Rights. In particular (not exclusively), any reproduction, change, addition, merger or other modification of the Content is prohibited without the prior express written consent of the Owner.

The final product configuration may differ from the versions shown in the photographs.
SilentLab®, MICROOFFICE® and their logos are registered trademarks of SilentLab s.r.o. All MICROOFFICE products are patent pending.

version 2024.1

KAVE HOME ZENDA

silentlab



Stool with square seat of adjustable height. Swivel seat upholstered with chenille fabric and foam padding for greater comfort. Thick cylindrical steel foot with rectangular footrest with matt black finish. Available in different finishes and/or colours. To combine them or choose your favorite.

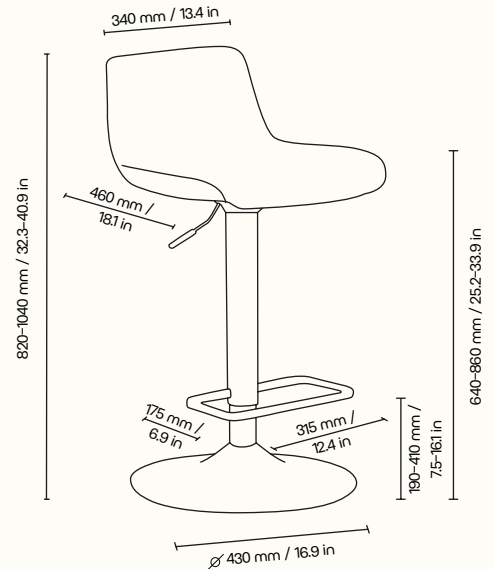
FURNITURE





Technical details

dimensions	standard height 1030 mm minimum adjustable height 820 mm maximum adjustable height 1030 mm width 445 mm depth 455 mm
weight	7,05 kg
material	70% steel, 10% fabric, 10% foam (polyuretan), 9% E0 low-emission plywood, 1% plastic
color	black



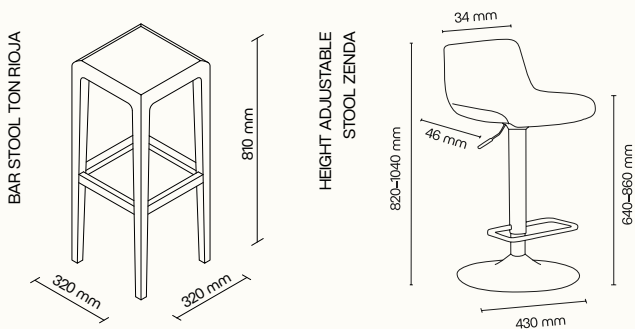
All intellectual property rights („Rights“), whether registered or not, relating to any content, texts, photographs, images, logos, instructions, designs, technical solutions, etc. („Content“) are the property of SilentLab s.r.o. („Owner“) and any interference with these Rights to any Content or part thereof without the prior express and written consent of the Owner is not permitted. Any use of the Content not expressly authorized in writing in advance, with the exception of internal and non-commercial use of the unmodified Content for the purposes of the customer's own order, is considered an infringement of the Owner's Rights. In particular (not exclusively), any reproduction, change, addition, merger or other modification of the Content is prohibited without the prior express written consent of the Owner.

The final product configuration may differ from the versions shown in the photographs.
SilentLab®, MICROOFFICE® and their logos are registered trademarks of SilentLab s.r.o. All MICROOFFICE products are patent pending.

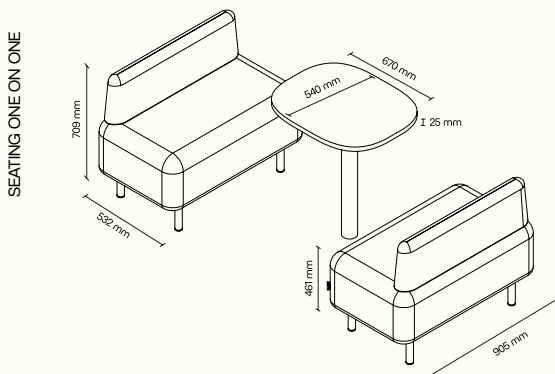
version 2024.1

FURNITURE GEN4

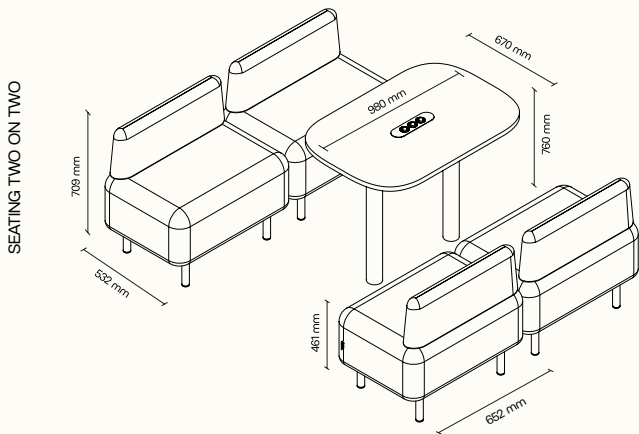
SPOT



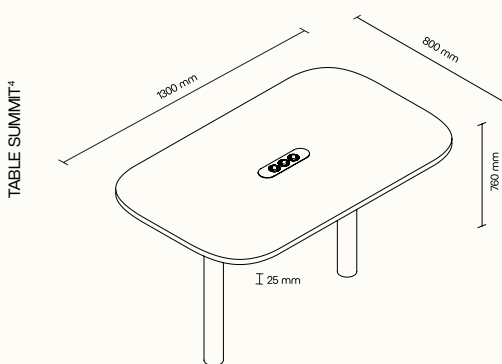
CHAT²



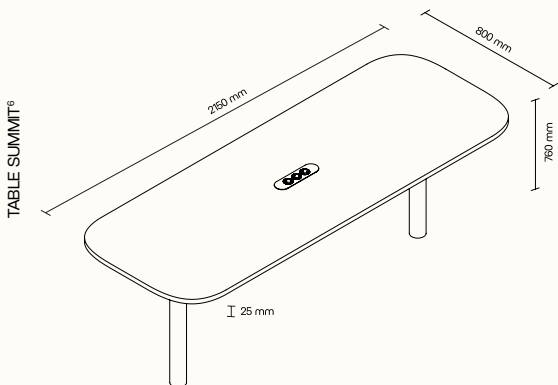
CHAT⁴



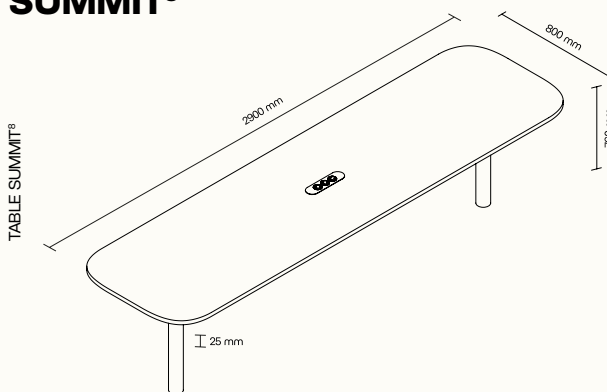
SUMMIT⁴



SUMMIT⁶



SUMMIT⁸



* Detailed information on individual products is available in the technical data sheets.
All furniture dimensions are given in millimeters. Illustration of a possible configuration.

All intellectual property rights („Rights“), whether registered or not, relating to any content, texts, photographs, images, logos, instructions, designs, technical solutions, etc. („Content“) are the property of SilentLab s.r.o. („Owner“) and any interference with these Rights to any Content or part thereof without the prior express and written consent of the Owner is not permitted. Any use of the Content not expressly authorized in writing in advance, with the exception of internal and non-commercial use of the unmodified Content for the purposes of the customer's own order, is considered an infringement of the Owner's Rights. In particular (not exclusively), any reproduction, change, addition, merger or other modification of the Content is prohibited without the prior express written consent of the Owner.

The final product configuration may differ from the versions shown in the photographs.
SilentLab®, MICROOFFICE® and their logos are registered trademarks of SilentLab s.r.o. All MICROOFFICE products are patent pending.

version 2024.2

FURNITURE GEN4

ACCESSORIES

WOODEN HOOK M



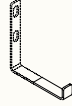
Ø 60 x 50 mm

WOODEN HOOK S



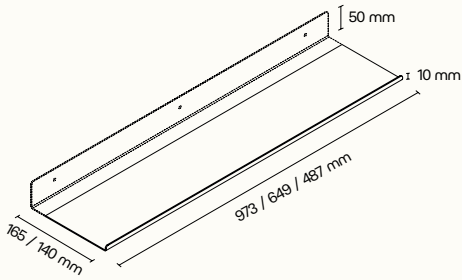
Ø 30 x 50 mm

METAL HOOK

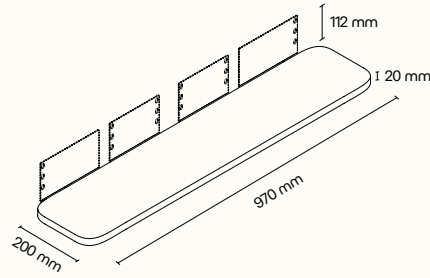


12 x 75 x 82 mm

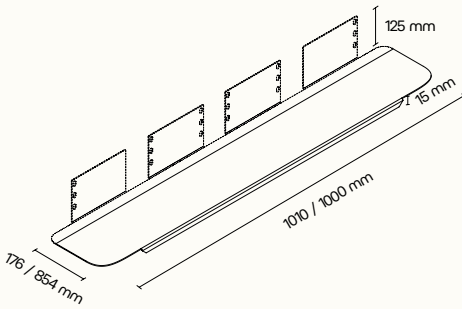
INTERNAL SHELF



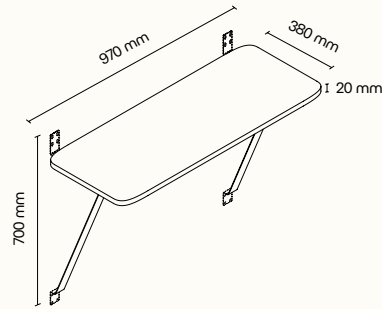
EXTERNAL WALL SHELF



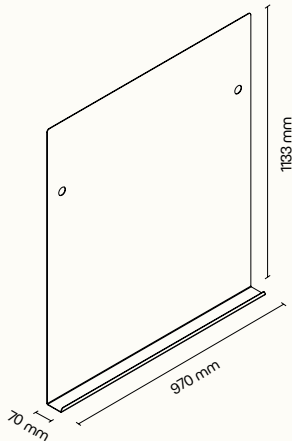
EXTERNAL METAL WALL SHELF



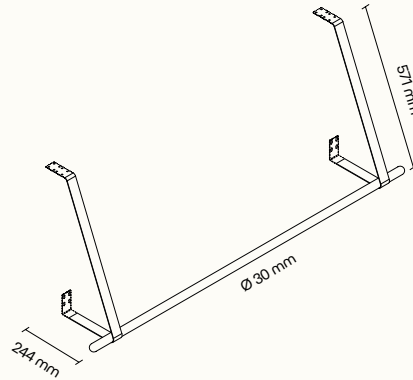
ANCHORING SYSTEM FOR
TABLE, SHELVES



MAGNETIC AND WRITABLE
METAL BOARD



ANCHORING SYSTEM FOR
TABLE, SHELVES



* Detailed information on individual products is available in the technical data sheets.
All furniture dimensions are given in millimeters. Illustration of a possible configuration.

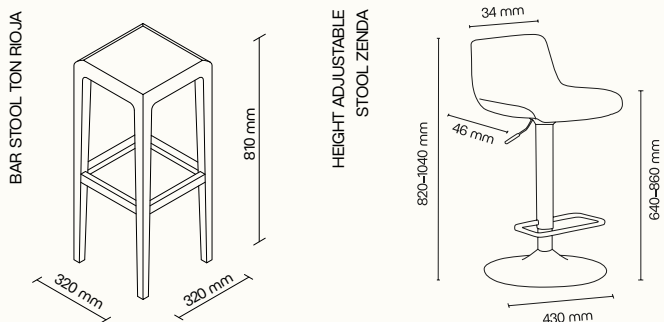
All intellectual property rights („Rights“), whether registered or not, relating to any content, texts, photographs, images, logos, instructions, designs, technical solutions, etc. („Content“) are the property of SilentLab s.r.o. („Owner“) and any interference with these Rights to any Content or part thereof without the prior express and written consent of the Owner is not permitted. Any use of the Content not expressly authorized in writing in advance, with the exception of internal and non-commercial use of the unmodified Content for the purposes of the customer's own order, is considered an infringement of the Owner's Rights. In particular (not exclusively), any reproduction, change, addition, merger or other modification of the Content is prohibited without the prior express written consent of the Owner.

The final product configuration may differ from the versions shown in the photographs.
SilentLab®, MICROOFFICE® and their logos are registered trademarks of SilentLab s.r.o. All MICROOFFICE products are patent pending.

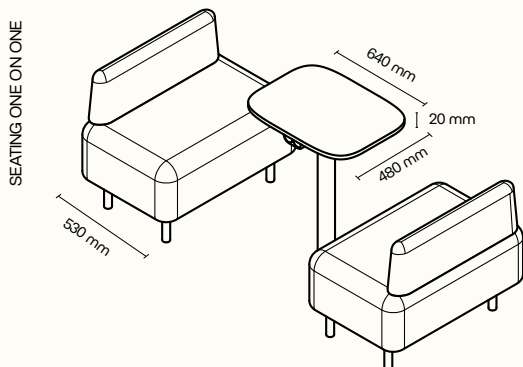
version 2024.2

FURNITURE SPARK

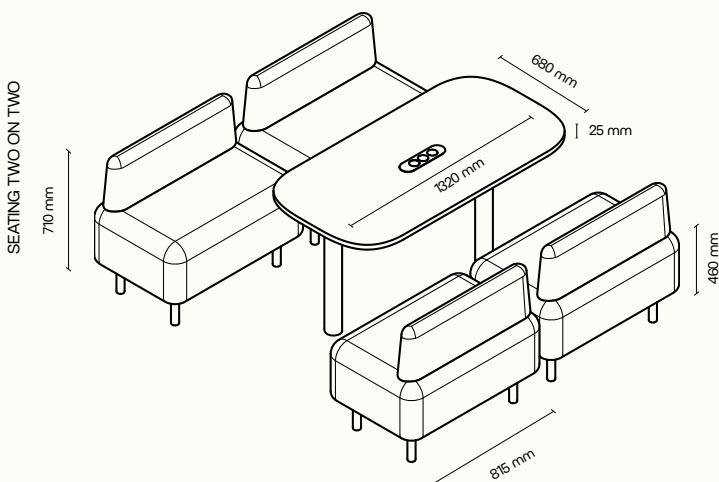
SPARK



SPARK²



SPARK⁴



* Detailed information on individual products is available in the technical data sheets.
All furniture dimensions are given in millimeters. Illustration of a possible configuration.

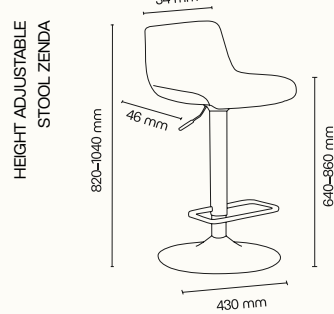
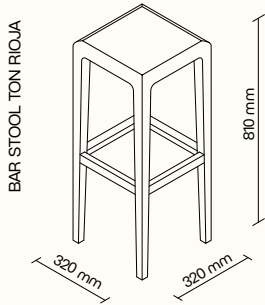
All intellectual property rights („Rights“), whether registered or not, relating to any content, texts, photographs, images, logos, instructions, designs, technical solutions, etc. („Content“) are the property of SilentLab s.r.o. („Owner“) and any interference with these Rights to any Content or part thereof without the prior express and written consent of the Owner is not permitted. Any use of the Content not expressly authorized in writing in advance, with the exception of internal and non-commercial use of the unmodified Content for the purposes of the customer's own order, is considered an infringement of the Owner's Rights. In particular (not exclusively), any reproduction, change, addition, merger or other modification of the Content is prohibited without the prior express written consent of the Owner.

The final product configuration may differ from the versions shown in the photographs.
SilentLab®, MICROOFFICE® and their logos are registered trademarks of SilentLab s.r.o. All MICROOFFICE products are patent pending.

version 2024.2

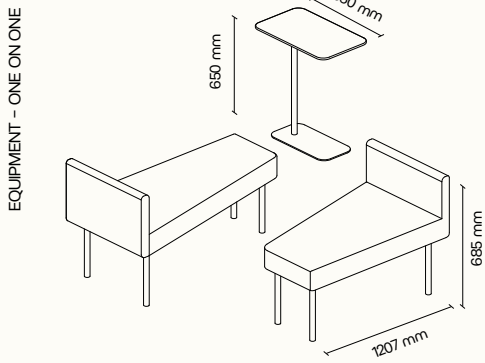
FURNITURE MICROOFFICE

UNIQ/PRIME

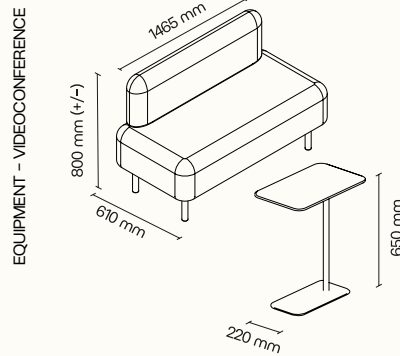


CUBIQ

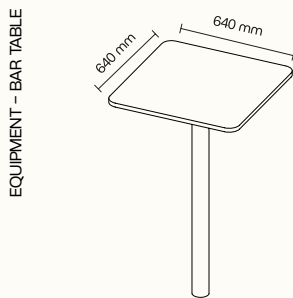
V. 1



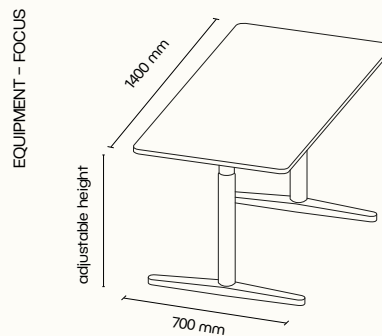
V. 2



V. 3



V. 4



* Detailed information on individual products is available in the technical data sheets.
All furniture dimensions are given in millimeters. Illustration of a possible configuration.

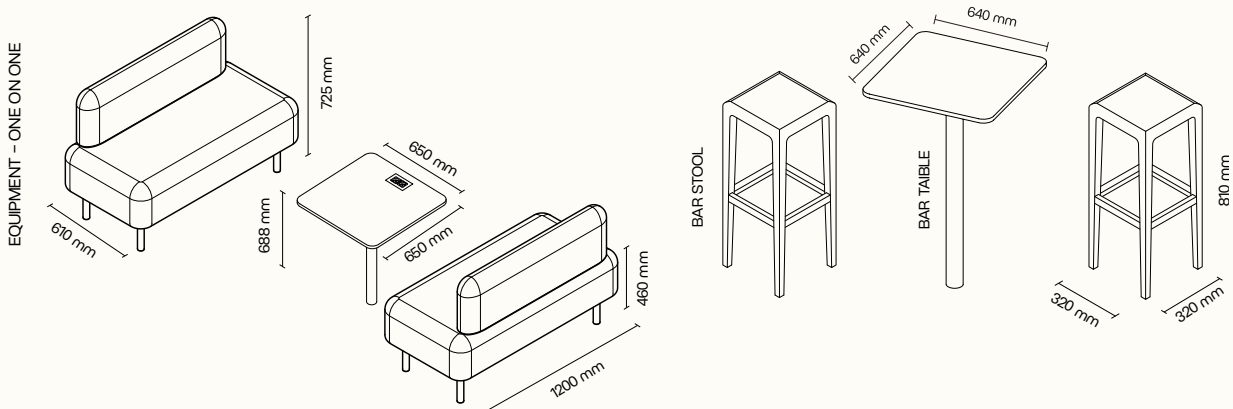
All intellectual property rights („Rights“), whether registered or not, relating to any content, texts, photographs, images, logos, instructions, designs, technical solutions, etc. („Content“) are the property of SilentLab s.r.o. („Owner“) and any interference with these Rights to any Content or part thereof without the prior express and written consent of the Owner is not permitted. Any use of the Content not expressly authorized in writing in advance, with the exception of internal and non-commercial use of the unmodified Content for the purposes of the customer's own order, is considered an infringement of the Owner's Rights. In particular (not exclusively), any reproduction, change, addition, merger or other modification of the Content is prohibited without the prior express written consent of the Owner.

The final product configuration may differ from the versions shown in the photographs.
SilentLab®, MICROOFFICE® and their logos are registered trademarks of SilentLab s.r.o. All MICROOFFICE products are patent pending.

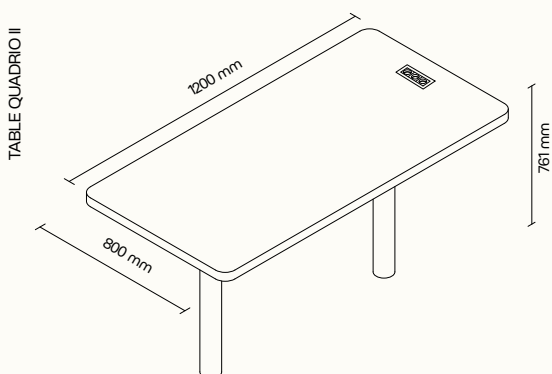
version 2024.2

FURNITURE MICROOFFICE

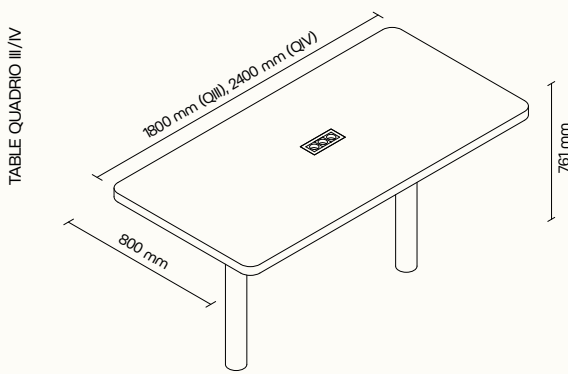
QUADRIO I



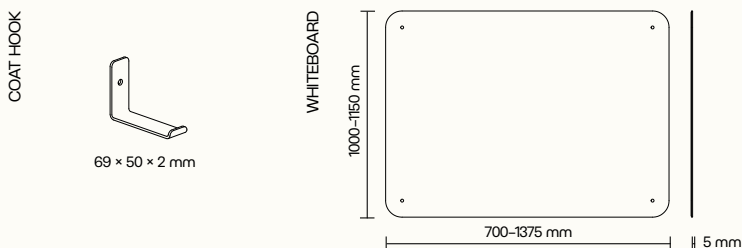
QUADRIO II



QUADRIO III/IV



UNIQ/PRIME/CUBIQ/QUADRIO I, II, III, IV, REALM



* Detailed information on individual products is available in the technical data sheets.
All furniture dimensions are given in millimeters. Illustration of a possible configuration.

All intellectual property rights („Rights“), whether registered or not, relating to any content, texts, photographs, images, logos, instructions, designs, technical solutions, etc. („Content“) are the property of SilentLab s.r.o. („Owner“) and any interference with these Rights to any Content or part thereof without the prior express and written consent of the Owner is not permitted. Any use of the Content not expressly authorized in writing in advance, with the exception of internal and non-commercial use of the unmodified Content for the purposes of the customer's own order, is considered an infringement of the Owner's Rights. In particular (not exclusively), any reproduction, change, addition, merger or other modification of the Content is prohibited without the prior express written consent of the Owner.

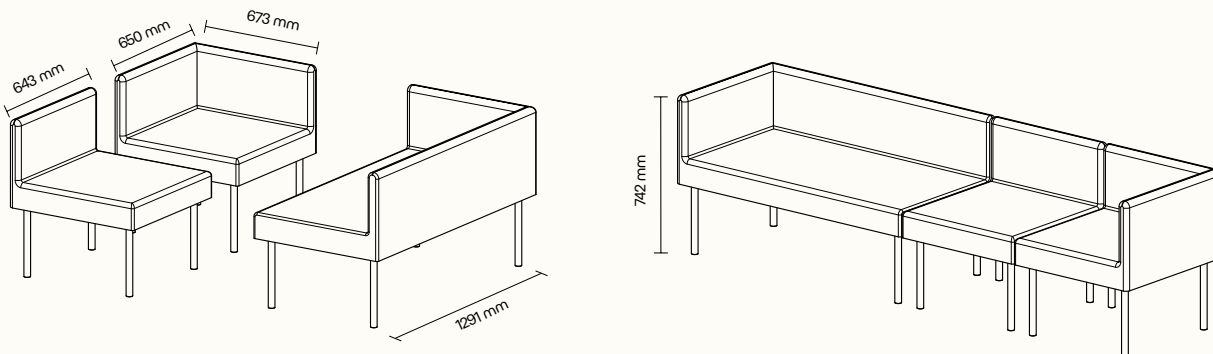
The final product configuration may differ from the versions shown in the photographs.
SilentLab®, MICROOFFICE® and their logos are registered trademarks of SilentLab s.r.o. All MICROOFFICE products are patent pending.

version 2024.2

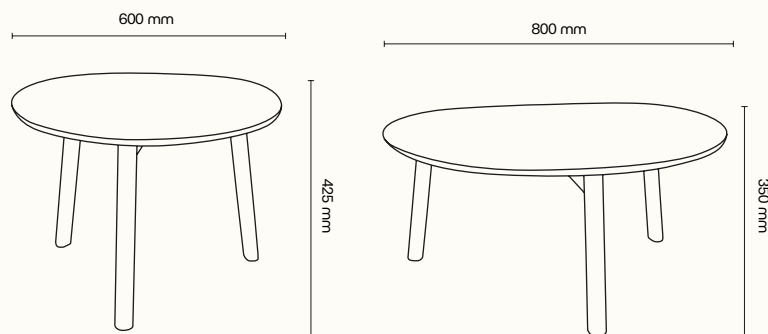
FURNITURE MICROOFFICE

REALM

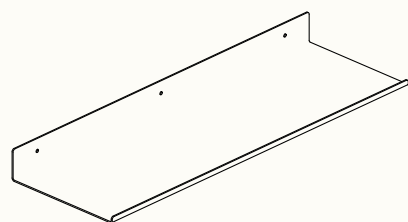
SEATING REALM



TABLES REALM



SHELF REALM



912/612/456 × 199 × 2 mm

* Detailed information on individual products is available in the technical data sheets.
All furniture dimensions are given in millimeters. Illustration of a possible configuration.

All intellectual property rights („Rights”), whether registered or not, relating to any content, texts, photographs, images, logos, instructions, designs, technical solutions, etc. („Content”) are the property of SilentLab s.r.o. („Owner”) and any interference with these Rights to any Content or part thereof without the prior express and written consent of the Owner is not permitted. Any use of the Content not expressly authorized in writing in advance, with the exception of internal and non-commercial use of the unmodified Content for the purposes of the customer's own order, is considered an infringement of the Owner's Rights. In particular (not exclusively), any reproduction, change, addition, merger or other modification of the Content is prohibited without the prior express written consent of the Owner.

The final product configuration may differ from the versions shown in the photographs.
SilentLab®, MICROOFFICE® and their logos are registered trademarks of SilentLab s.r.o. All MICROOFFICE products are patent pending.

version 2024.2